



Item

Description

Price EUR

Art. NR.

White

In colour

White / In colour

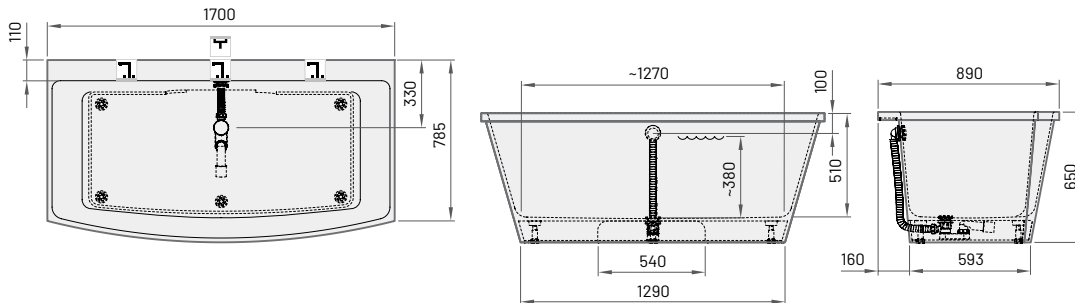
STEP

1700 × 890 mm
h = 650 mm
Volume: 375 l
Weight: 133 kg

Bath in Cast Stone	1945	2625	VASTE/xx
Drain-overflow chromed plastic	120	120	SIFVPAA80/00
TOTAL	2065	2745	

Optional:

Cut-outs for mixer tap	130		RURBPB
Drain-overflow black metal plastic	225		SIFVPAA80/01



All prices in EUR