



CORE

 MTM

# Price list 2026



# CONTENT

## CORE baths

**PERLA 145**  
1450×710 mm



p. 4. C/S/G

**PERLA 160**  
1600×750 mm



p. 4. C/S/G

**PERLA 175**  
1750×760 mm



p. 4. C/S/G

**PERLA ONDA**  
1575×740 mm **NEW!**



p. 5. C/S/G

**BELLA**  
1705×800 mm



p. 5. C/S/G

**BELLA OVO**  
1700×800 mm



p. 5. C/S

**AMORE**  
1600×850 mm



p. 6. C/S

**STORIA**  
1670×725 mm



p. 6. C

**DUNA**  
1500×650 mm



p. 7. C/S/G

**FELICE**  
1945×830 mm



p. 7. S

**QUADRO**  
1590×700 mm



p. 8. C/S/G

**QUADRO CORNER A/D**  
1600×750 mm



p. 8. C/S/G

**QUADRO WALL**  
1600×760 mm



p. 8. C/S/G

**DECO NUDO**  
1660×725 mm



p. 9. C/S/G

**DECO RIM**  
1660×810 mm



p. 9. S/G

**DECO WALL**  
1660×810 mm



p. 9. S/G

**DECO CORNER**  
1600×1270 mm



p. 10. S

**VICTORIA**  
1700×830 mm



p. 10. A/S

**DOLCE**  
1800×900 mm



p. 11. S/G

**STEP**  
1700×890 mm



p. 11. C

**BEL CANTO**  
1800×850 mm



p. 11. C

## CORE washbasins

**BELLA**



p. 12. C/S/G

**FELICE**



p. 12. S/G

**AMORE**



p. 12. C/S/G

**PERLA**



p. 12. C/S/G

**QUADRO ON**



p. 13. C/S/G

**QUADRO**



p. 13. C/S/G

**DECO**



p. 13. C/S/G

**ROUND ON**



p. 14. C/S/G

**OVO IN**



p. 14. C/S/G

**ROUND IN**



p. 14. C/S/G

**OPUS IN**



p. 14. C/S/G

**DO 22**



p. 15. C/S/G

**DO 25**



p. 15. C/S/G

**DO 28**



p. 15. C/S/G

**RE**



p. 15. S

**MI**



p. 15. S

Cast Stone = C

Silkstone = S

Silkstone Graphite = G

## baths

### DECO SHAPE

1660-2500×725-1250 mm



p. 16. S

### DECO SHAPE RE

1700-2000×825 mm



p. 16. S

### DECO SHAPE RE A/D

1700-2000×825 mm



p. 17. S

## washbasins

### OPUS MINI / OPUS



p. 18.-19. S

### OPUS GRANDE



p. 20. S

### STRETTO



p. 21. S

### ROUND



p. 22. S

### OVO



p. 23. S

### PIANO



p. 24. S

### CREDO



p. 25. S

### QUADRO



p. 26. S

Order form for MTM washbasins

p. 27.

### FLOW 45/50



p. 28.-29. S

Made to Measure surfaces. ON-TOP washbasins



p. 30.-37. S

## CRAFT shower tray



p. 38.-39. C / S

Order form for Deco Shape baths

p. 40.

Made to Measure shelves



p. 41. S

Made to Measure wall panels



p. 41. S

## Technical information

product code generation, product tint/colour cards, warranty terms, etc.

p. 42.-44.

## About Materials

Info about Cast Stone, Silkstone and Graphite materials

p. 45.-47.

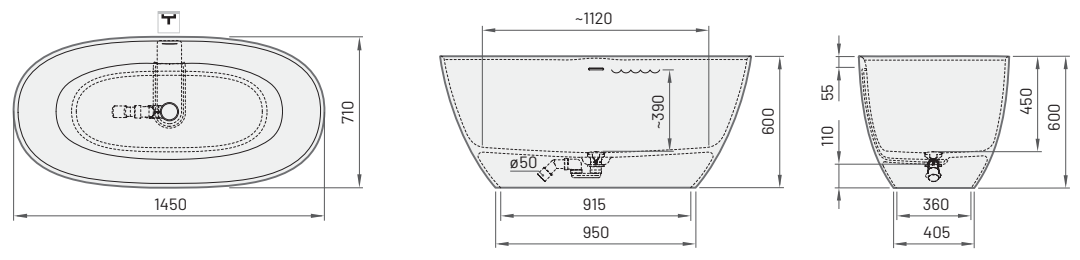
**FREESTANDING BATHS**

CORE



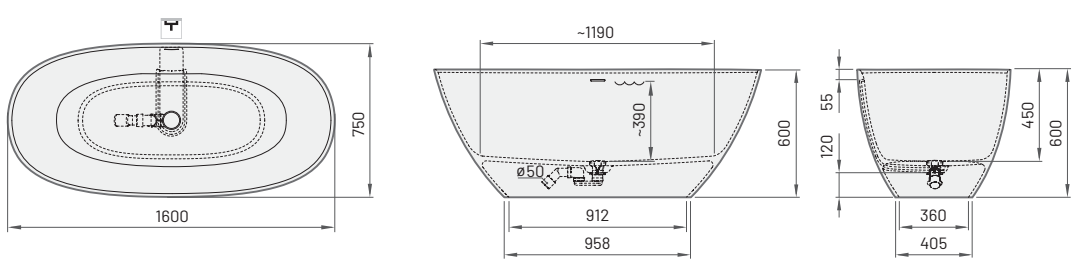
**PERLA 145**  
 1450 × 710 mm  
 h = 600 mm  
 Volume: 260 l  
 Weight: 105/84 kg  
 Integrated push-open  
 drain-overflow (included)

Description	Price EUR		Art. NR.
	White	In colour	White / In colour
Bath in Cast Stone	2365	3045	VAPERL145/xx
Bath in Silkstone®	3310	3780	VAPERLS145/xx
Bath in GRAPHITE		4620	VAPERLS145/01



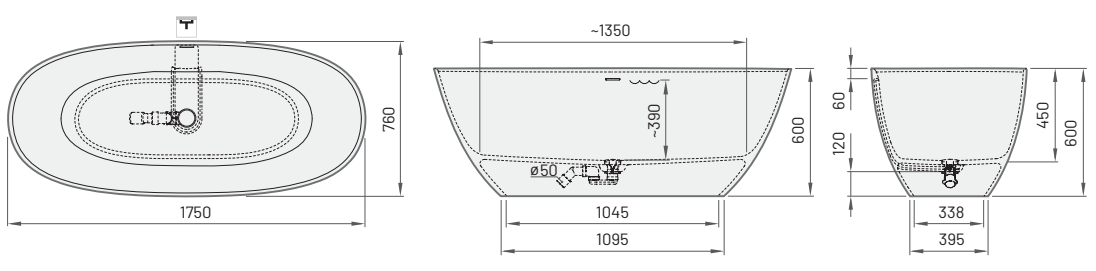
**PERLA 160**  
 1600 × 750 mm  
 h = 600 mm  
 Volume: 275 l  
 Weight: 107/85 kg  
 Integrated push-open  
 drain-overflow (included)

Description	Price EUR		Art. NR.
	White	In colour	White / In colour
Bath in Cast Stone	2520	3200	VAPERL/xx
Bath in Silkstone®	3465	3940	VAPERLS/xx
Bath in GRAPHITE		4675	VAPERLS/01



**PERLA 175**  
 1750 × 760 mm  
 h = 600 mm  
 Volume: 315 l  
 Weight: 120/97 kg  
 Integrated push-open  
 drain-overflow (included)

Description	Price EUR		Art. NR.
	White	In colour	White / In colour
Bath in Cast Stone	2940	3835	VAPERL175/xx
Bath in Silkstone®	3835	4410	VAPERLS175/xx
Bath in GRAPHITE		5200	VAPERLS175/01



All prices in EUR

**NEW!**

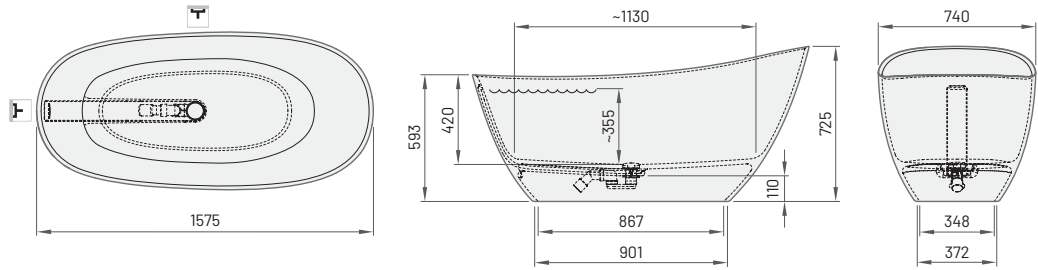


**PERLA ONDA**

1575 x 740 mm  
h = 725, 593 mm  
Volume: 240 l  
Weight: 106/87 kg  
Integrated push-open  
*drain-overflow (included)*

Description	Price EUR		Art. NR.
	White	In colour	White / In colour
Bath in Cast Stone	2520	3200	VAPERLOND/xx
Bath in Silkstone®	3465	3940	VAPERLSOND/xx
Bath in GRAPHITE		4675	VAPERLSOND/01

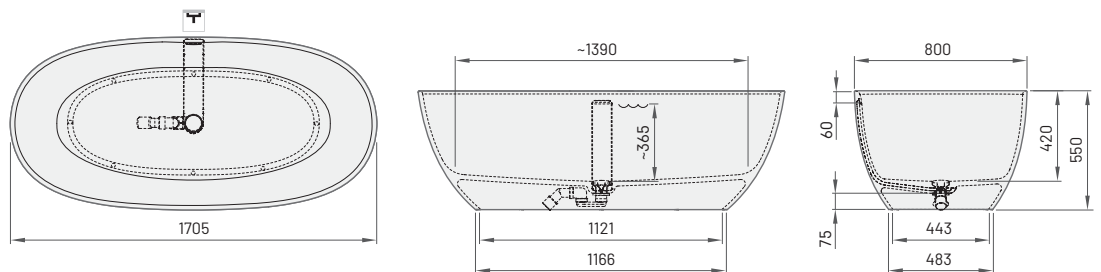
Availability: Q2 2026



**BELLA**

1705 x 800 mm  
h = 550 mm  
Volume: 312 l  
Weight: 135/113 kg  
Integrated push-open  
*drain-overflow (included)*

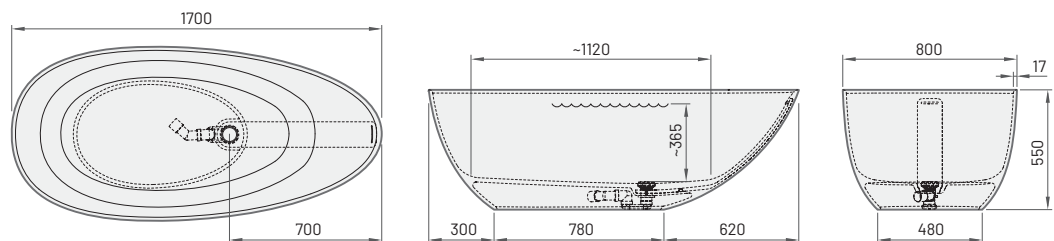
Description	Price EUR		Art. NR.
	White	In colour	White / In colour
Bath in Cast Stone	2835	3675	VABELL/xx
Bath in Silkstone®	3730	4300	VABELS/xx
Bath in GRAPHITE		5100	VABELS/01



**BELLA OVO**

1700 x 800 mm  
h = 550 mm  
Volume: 275 l  
Weight: 111/93 kg  
Integrated push-open  
*drain-overflow (included)*

Description	Price EUR		Art. NR.
	White	In colour	White / In colour
Bath in Cast Stone	2835	3675	VABELLO/xx
Bath in Silkstone®	3730	4300	VABELLOS/xx
Bath in GRAPHITE		5100	VABELLOS/01



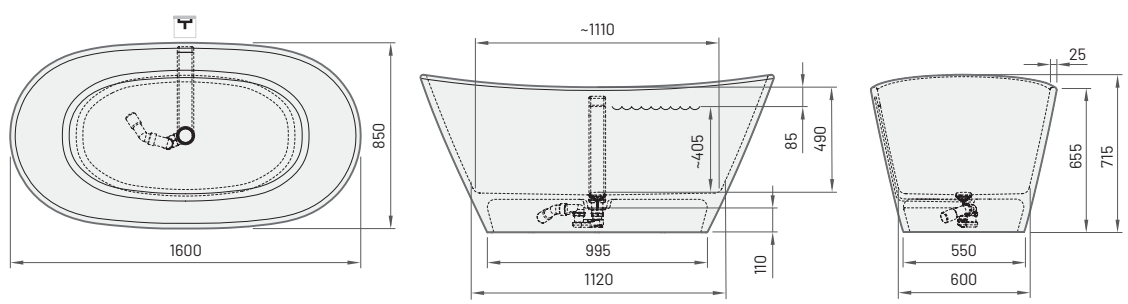
All prices in EUR



Item	Description	Price EUR		Art. NR.
		White	In colour	White / In colour

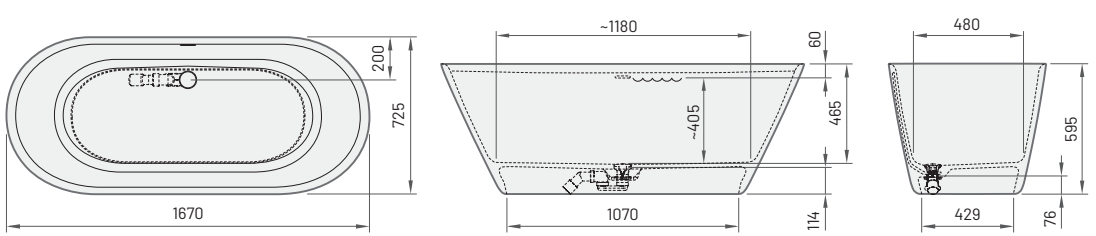
**AMORE**  
 1600×850 mm  
 h = 715 mm  
 Volume: 260 l  
 Weight: 162 / 130 kg  
 Integrated  
 push-open  
 drain-overflow  
 (included)

Bath in Cast Stone	2680	3465	VAAMO/xx
Bath in Silkstone®	3570	4150	VAAMS/xx
Bath in GRAPHITE		4935	VAAMS/01



**STORIA**  
 1670×725 mm  
 h = 595 mm  
 Volume: 240 l  
 Weight: 136 kg  
 Integrated  
 push-open  
 drain-overflow  
 (included)

Bath in Cast Stone	2365	3045	VASTO/xx
--------------------	------	------	----------



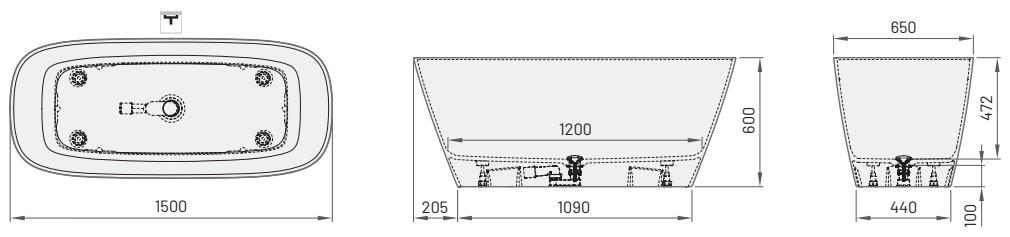
Item	Description	Price EUR		Art. NR.
		White	In colour	White / In colour



**DUNA**  
 1500×650 mm  
 h = 600 mm  
 Volume: 265 l  
 Weight: 75 / 67 kg  
 Integrated push-open  
 drain (included)

Bath in Cast Stone	2255	2850	VADUNA/xx
Bath in Silkstone®	2780	3350	VADUNS/xx
Bath in GRAPHITE		4050	VADUNS/01

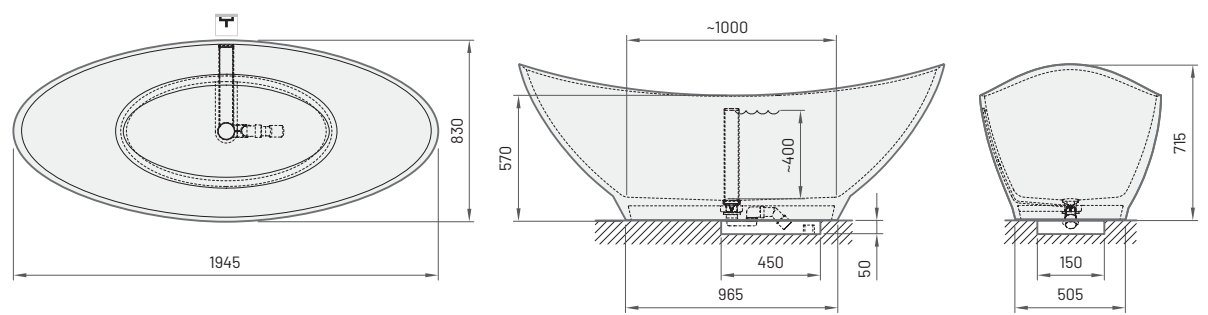
NOTE! Duna bath has no overflow.



**FELICE**  
 1945×830 mm  
 h = 715 mm  
 Volume: 280 l  
 Weight: 128 kg  
 Integrated  
 push-open  
 drain-overflow  
 (included)

Bath in Silkstone®	4045	4620	VAFES/xx
Bath in GRAPHITE		5515	VAFES/01

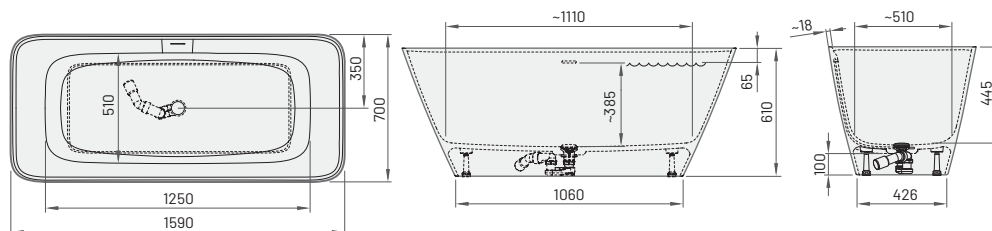
NOTE! FELICE bath requires a 50 mm recess in the floor for the drain (see. installation manual [www.paabaths.com](http://www.paabaths.com))



All prices in EUR



Item	Description	Price EUR		Art. NR.
		White	In colour	White / In colour
<b>QUADRO</b> 1590×700 mm h = 610 mm Volume: 275 l Weight: 104/115 kg Integrated push-open drain-overflow (included)	Bath in Cast Stone	2680	3730	VAQUA/xx
	Bath in Silkstone®	3465	3990	VAQUAS/xx
	Bath in GRAPHITE		4675	VAQUAS/01

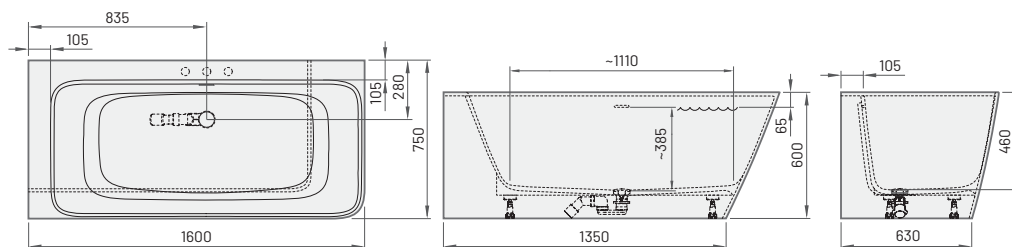


A

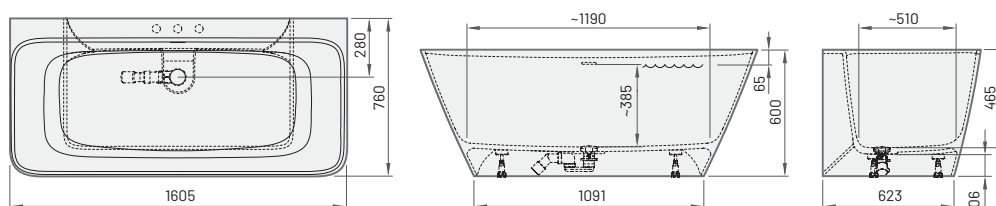


D

<b>QUADRO CORNER A/D</b> 1600×750 mm h = 600 mm Volume: 250 l Weight: 108/136 kg Integrated push-open drain-overflow (included)	Bath in Cast Stone	2680	3730	VAQUACOA/xx, VAQUACOD/xx
	Bath in Silkstone®	3465	3990	VAQUACOSA/xx, VAQUACOSD/xx
	Bath in GRAPHITE		4675	VAQUACOSA/01, VAQUACOSD/01
Optional:				
Cut-outs for mixer taps		130		RURBSS / RURBPB



<b>QUADRO WALL</b> 1605×760 mm h = 600 mm Volume: 275 l Weight: 108/136 kg Integrated push-open drain-overflow (included)	Bath in Cast Stone	2680	3730	VAQUAWA/xx
	Bath in Silkstone®	3465	3990	VAQUAWAS/xx
	Bath in GRAPHITE		4675	VAQUAWAS/01
Optional:				
Cut-outs for mixer taps		130		RURBSS / RURBPB



Item	Description	Price EUR		Art. NR.
		White	In colour	White / In colour

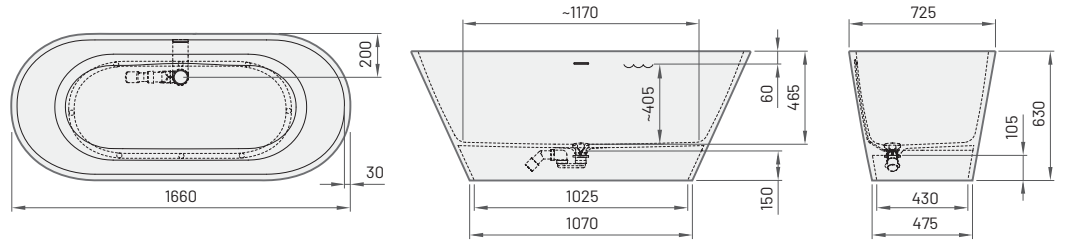


**DECO NUDO**

1660×725 mm  
h = 630 mm  
Volume: 240 l  
Weight: 112 kg  
Integrated push-open drain-overflow (included)

Bath in Cast Stone*	2365	3045	VADENU/xx
Bath in Silkstone®*	3000	3570	VADENUS/xx
Bath in GRAPHITE		4360	VADENUS/01

\* When ordering a tinted bath, the colour name must be indicated in the order notes, the entire bathtub is tinted (see Cast Stone colours on page 42 / Silkstone® tints on page 43).



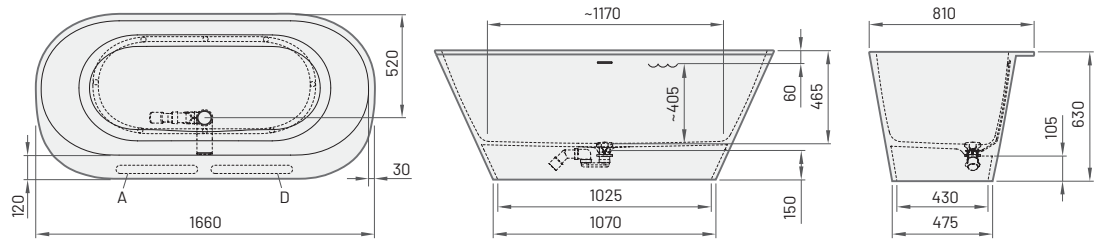
**DECO RIM**

1660×810 mm  
h = 630 mm  
Volume: 240 l  
Weight: 110 kg  
Integrated push-open drain-overflow (included)

Bath in Silkstone®*	3465	3990	VADERIS/xx
Bath in GRAPHITE		4675	VADERIS/01

The position of the towel holder (A or D, see drawing) must be indicated in the order notes.

\* When ordering a tinted bath, the colour name must be indicated in the order notes, the entire bathtub is tinted (see Silkstone® tints on page 43).



**DECO WALL**

1660×810 mm  
h = 630 mm  
Volume: 240 l  
Weight: 120 kg  
Integrated push-open drain-overflow (included)

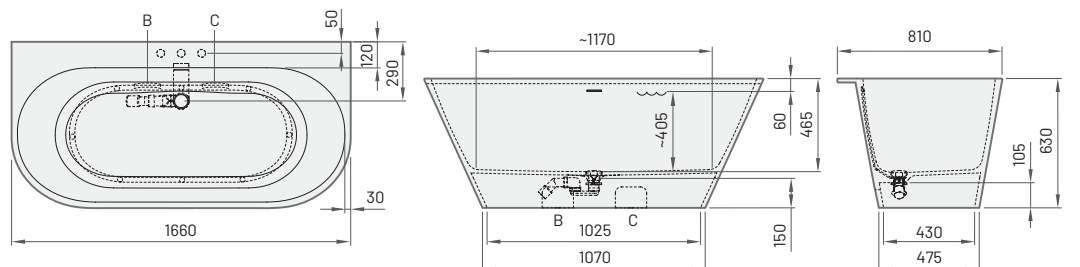
Bath in Silkstone®*	3465	3990	VADEWAS/XX
Bath in GRAPHITE		4675	VADEWAS/01

Optional:

Cut-out for connection to the sewerage system (B/C)	120	RFREZSS
Cut-outs for mixer taps	130	RURBSS

\* The location of the cut-outs for the mixer tap and the location of the sewerage hole must be indicated in the order notes. When ordering a tinted bath, the colour name must be indicated in the order notes, the entire bathtub is tinted (see Silkstone® tints on page 43).

**Attention!** According to an EU industry standard, not all mixer taps are suitable for placement on the edge of this bathtub.



All prices in EUR

Item	Description	Price EUR		Art. NR.
		White	In colour	White / In colour



DECO CORNER D, 1600 x 1270

**DECO CORNER**

D/A, 1600 x 1270 mm  
h = 630 mm  
Volume: 240 l  
Weight: 120 kg  
Integrated push-open  
drain-overflow  
(included)

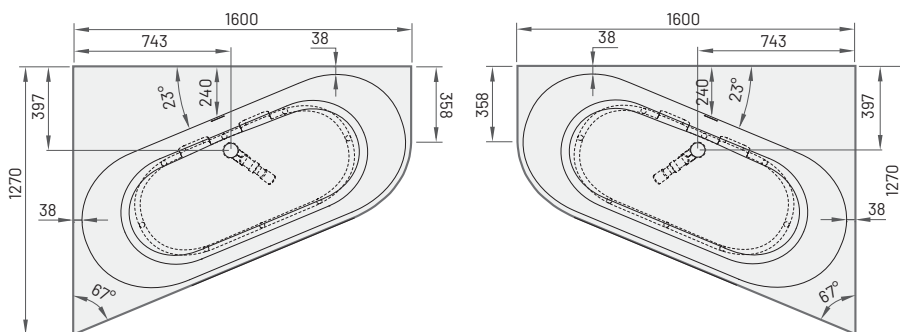
Bath in Silkstone® DECO CORNER D, 1600 x 1270*	4255	4885	VADECORSD/00
Bath in Silkstone® DECO CORNER A, 1600 x 1270*	4255	4885	VADECORSA/00
Optional:			
Cut-out for connection to the sewerage system (B/C)	120		RFREZSS
Cut-outs for mixer taps	130		RURBSS

\* Only the surface of a bathtub is tinted. The name of the tint must be indicated in the order notes (see Silkstone® tints on page 43). The location of the cut-outs for the mixer tap and the location of the sewerage hole must be indicated in the order notes.

**Attention!** According to an EU industry standard, not all mixer taps are suitable for placement on the edge of this bathtub. It is possible to install mixer taps if the side width of the surface is not less than 120 mm.



DECO CORNER A, 1600 x 1270



DECO CORNER D, 1600 x 1270

DECO CORNER A, 1600 x 1270



ANTIKA  
(Silkstone®) legs



ANTIKA  
(GRAPHITE) legs

**VICTORIA**

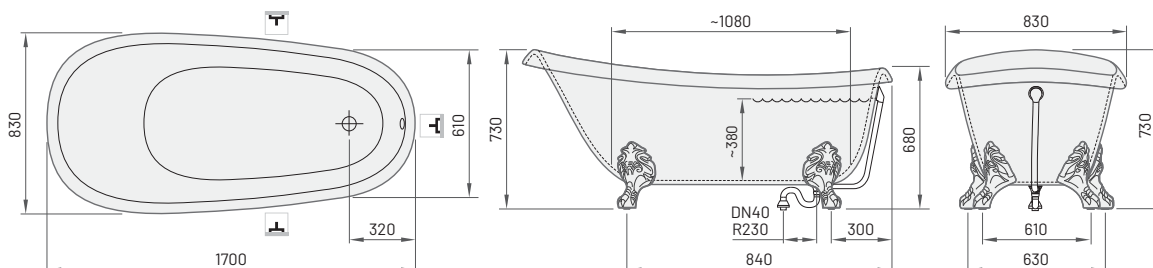
1700 x 830 x 610 mm  
h = 730, 680 mm  
Volume: 225 l  
Weight: 85 / 85 kg

Bath in Cast Stone, ANTIKA legs in Cast Stone	3045	4100	VAVICA/xx
Bath in Silkstone®, ANTIKA legs in Silkstone®	3940		VAVISS/00
Bath in Silkstone®, ANTIKA legs in GRAPHITE	5250		VAVISG/00

Optional:

Drain-overflow in metal, chrome colour	430		SIFVVICM/H
Drain-overflow in metal, bronze colour	685		SIFVVICM/B
Drain-overflow in metal, gold colour	750		SIFVVICM/Z

\* It is not possible to order the Victoria Cast Stone bathtub in Glossy Black colour.



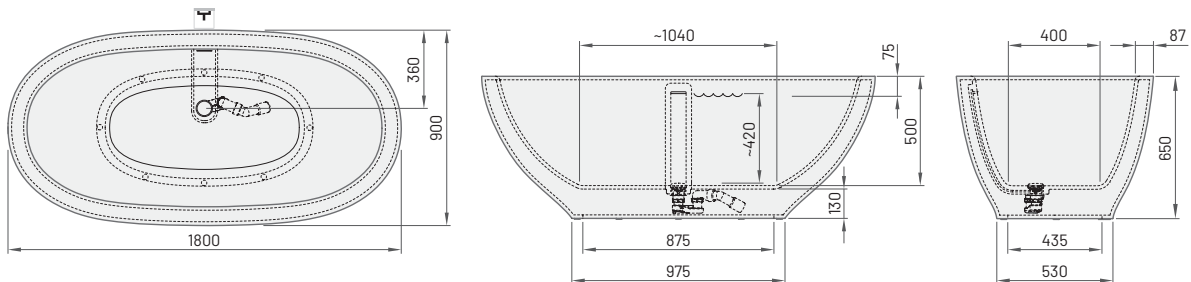
Item	Description	Price EUR		Art. NR.
		White	In colour	White / In colour



**DOLCE**  
 1800x900 mm  
 h = 650 mm  
 Volume: 260 l  
 Weight: 145 / 148 kg

Bath in Silkstone®	4200		VADOS/00
Bath in GRAPHITE		5620	VADOS/01

Integrated push-open drain-overflow (included)

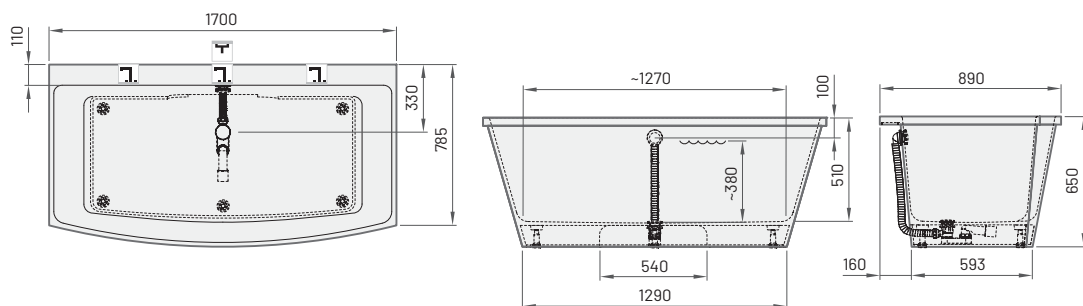


**STEP**  
 1700x890 mm  
 h = 650 mm  
 Volume: 375 l  
 Weight: 133 kg

Bath in Cast Stone	1945	2625	VASTE/xx
Drain-overflow chromed plastic	120	120	SIFVPAA80/00
<b>TOTAL</b>	<b>2065</b>	<b>2745</b>	

Optional:

Cut-outs for mixer tap	130		RURBPB
Drain-overflow black metal plastic	225		SIFVPAA80/01

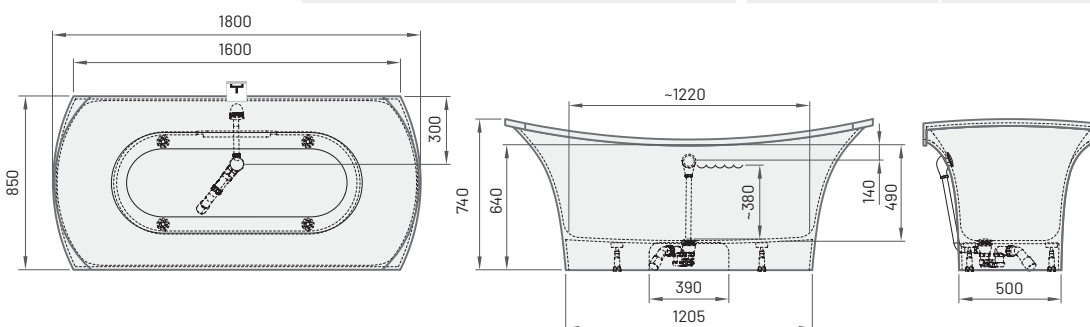


**BEL CANTO**  
 1800x850 mm  
 h = 740 mm  
 Volume: 245 l  
 Weight: 100 kg

Bath in Cast Stone	1945	2625	VABEL/xx
Drain-overflow chromed plastic	120	120	SIFVPAA80/00
<b>TOTAL</b>	<b>2065</b>	<b>2745</b>	

Optional:

Push-open drain-overflow in chrome	400		SIFVBELM/H
Drain-overflow black metal plastic	225		SIFVPAA80/01



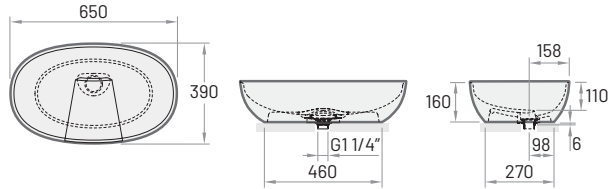
All prices in EUR



**BELLA**  
650×390 mm  
h = 160 mm  
Mounted on the surface without overflow

Description	Price EUR		Art. NR.
	White	In colour	White / In colour
Washbasin in Cast Stone with drain	590	900	IBELL/xx
Silkstone® washbasin with drain	645	820	IBELS/xx
GRAPHITE washbasin with drain		945	IBELS/01

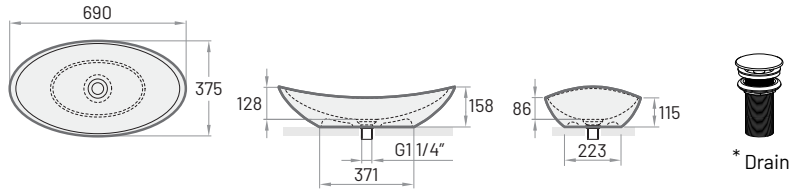
See Cast Stone colours on page 42 / Silkstone® tints on page 43.



**FELICE**  
690×375 mm  
h = 158 mm  
Mounted on the surface without overflow

Silkstone® washbasin with drain*	600	700	IFES/xx
GRAPHITE washbasin with drain*		925	IFES/01

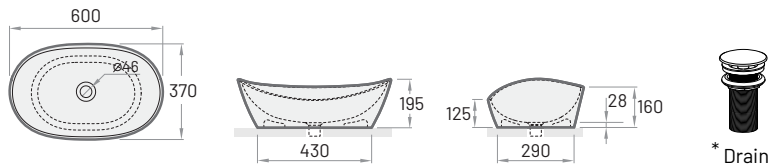
\* The surface of the drain cover is made of the same material and tint as the washbasin. See Silkstone® tints on page 43.



**AMORE**  
600×370 mm  
h = 195 mm  
Countertop washbasin, overflow not available

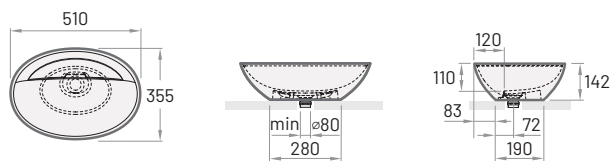
Washbasin in Cast Stone with drain*	560	735	IAMO/xx
Silkstone® washbasin with drain*	600	800	IAMS/xx
GRAPHITE washbasin with drain*		900	IAMS/01

\* The surface of the drain cover is made of the same material and tint as the washbasin. See Cast Stone colours on page 42 / Silkstone® tints on page 43.



**PERLA**  
510×355 mm  
h = 142 mm  
Mounted on the surface without overflow

Washbasin in Cast Stone with drain	495	675	IPERL/xx
Silkstone® washbasin with drain	560	735	IPERLS/xx
GRAPHITE washbasin with drain		840	IPERLS/01



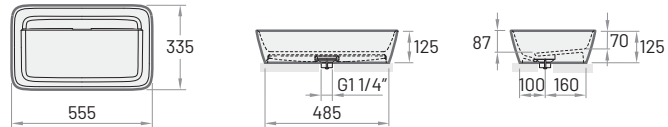
Item	Description	Price EUR		Art. NR.
		White	In colour	White / In colour



**QUADRO ON**  
555×335 mm  
h = 125 mm  
Mounted on the surface without overflow

Washbasin in Cast Stone with drain	495	675	IQUAON/xx
Silkstone® washbasin with drain	560	735	IQUASON/xx
GRAPHITE washbasin with drain		840	IQUASON/01

Tinted whole washbasin.  
See Cast Stone colours on page 42 / Silkstone® tints on page 43.

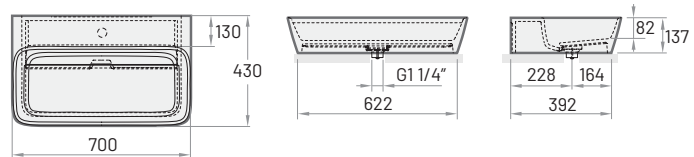


**QUADRO**  
700×430 mm  
h = 137 mm  
Mountable on the wall or on the surface without overflow



Washbasin in Cast Stone with drain	590	780	IQUA/xx
Silkstone® washbasin with drain	645	820	IQUAS/xx
GRAPHITE washbasin with drain		945	IQUAS/01

Washbasin with integrated wall mountings. Tinted whole washbasin.  
See Cast Stone colours on page 42 / Silkstone® tints on page 43.



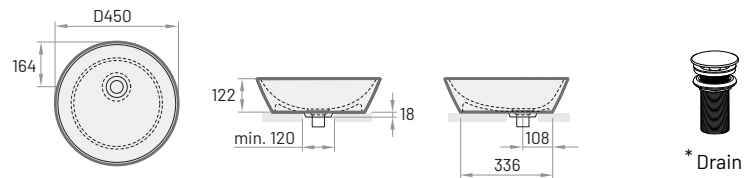
**DECO**  
ø 450 mm  
h = 122 mm  
Countertop washbasin, overflow not available



Washbasin in Cast Stone with drain*	445	580	IDEC/xx
Silkstone® washbasin with drain*	505	675	IDECS/xx
GRAPHITE washbasin with drain*		840	IDECS/01

To install the washbasin on the surface - additional min. Ø120 mm cut-out in surface should be drilled

\* The surface of the drain cover is made of the same material and tint as the washbasin.  
See Cast Stone colours on page 42 / Silkstone® tints on page 43.

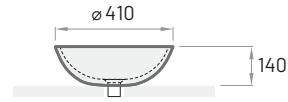
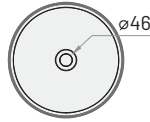




**ROUND ON**  
 ø 410 mm  
 h = 140 mm  
 Countertop washbasin,  
 overflow not  
 available

Description	Price EUR		Art. NR.
	White	In colour	
Washbasin in Cast Stone	320	555	IROON/xx
Silkstone® washbasin with drain*	420	585	IROSON/xx
GRAPHITE washbasin with drain*		695	IROSON/01

\* The surface of the drain cover is made of the same material and tint as the washbasin. See Cast Stone colours on page 42 / Silkstone® tints on page 43.



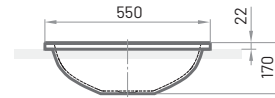
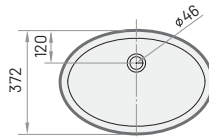
\* Drain



**OVO IN**  
 550×372 mm  
 h = 170 mm  
 Drop-in washbasin

Washbasin in Cast Stone*	300	460	IOVIN/xx
Silkstone® washbasin*	375	505	IOVSIN/xx
GRAPHITE washbasin*		630	IOVSIN/01

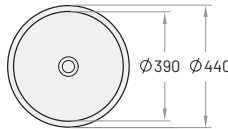
Overflow available  
 optionally



**ROUND IN**  
 ø 440 mm  
 h = 140 mm  
 Drop-in washbasin

Washbasin in Cast Stone*	305	485	IROIN/xx
Silkstone® washbasin*	390	540	IROSIN/xx
GRAPHITE washbasin*		665	IROSIN/01

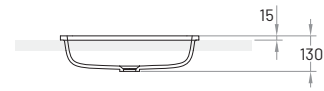
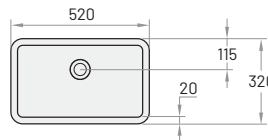
Overflow available  
 optionally



**OPUS IN**  
 520×320 mm  
 h = 130 mm  
 Drop-in washbasin

Silkstone® washbasin*	400	495	IOPSIN/xx
GRAPHITE washbasin*		600	IOPSIN/01

Overflow available  
 optionally



\* Optional:

Permanent open drain in metal, chrome colour cover	100		L2264
Permanent open drain with Silkstone® cover	100	100	DEIZSNOP/xx
Permanent open drain with GRAPHITE		105	DEIZSNOP/01
Permanent open drain with Cast Stone cover	100	105	DKIZPBNOP/xx



\* Permanent open drain with Silkstone® cover

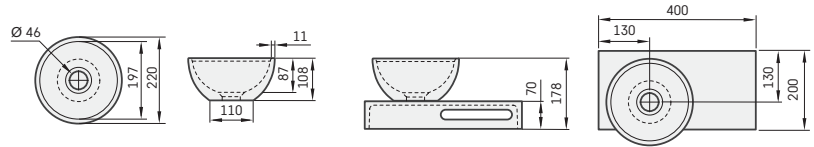
Item	Description	Price EUR		Art. NR.
		White	In colour	White / In colour



**DO 22**  
 ø 220 mm  
 h = 108 mm  
 Mountable on the surface,  
 overflow  
 not available

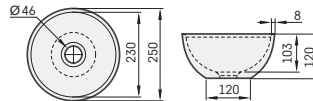
Washbasin in Cast Stone*	195	260	ID0/xx
Silkstone® washbasin*	190	290	ID0S/xx
GRAPHITE washbasin*		325	ID0S/01
Shelf for DO 22 washbasin in Silkstone®**	265	325	ID0PS/xx

\*\* Shelf with integrated screw places for wall mounting



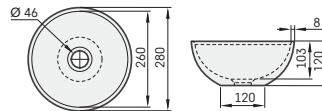
**DO 25**  
 ø 250 mm  
 h = 120 mm  
 Mountable on the surface,  
 overflow  
 not available

Washbasin in Cast Stone*	225	295	ID025/xx
Silkstone® washbasin*	240	295	ID0S25/xx
GRAPHITE washbasin*		345	ID0S25/01



**DO 28**  
 ø 280 mm  
 h = 120 mm  
 Mountable on the surface,  
 overflow  
 not available

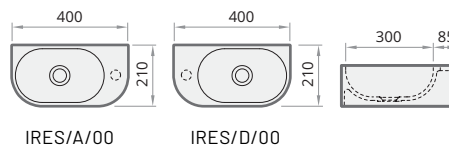
Washbasin in Cast Stone*	260	345	ID028/xx
Silkstone® washbasin*	270	315	ID0S28/xx
GRAPHITE washbasin*		365	ID0S28/01



**RE A/D**  
 400×210 mm  
 h = 140 mm  
 Mountable on the wall or on the surface,  
 overflow  
 not available

Silkstone® washbasin* (left/right side)	300		IRES/A/00; IRES/D/00
---	-----	--	----------------------

Washbasin with integrated screw places for wall mounting



IRES/A/00

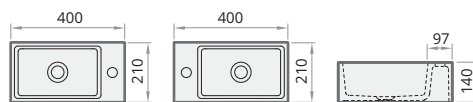
IRES/D/00



**MI A/D**  
 400×210 mm  
 h = 140 mm  
 Mountable on the wall or on the surface,  
 overflow  
 not available

Silkstone® washbasin* (left/right side)	300		IMIS/A/00; IMIS/D/00
---	-----	--	----------------------

Washbasin with integrated screw places for wall mounting



IMIS/A/00

IMIS/D/00

\* Optional:



\* Permanent open drain with Silkstone® cover

Permanent open drain with Silkstone® cover	100	100	DEIZSNOP/xx
Permanent open drain with Cast Stone cover	100	105	DKIZPBNOP/xx

All prices in EUR

Item	Description	Price EUR		Art. NR.
		White	In colour	White / In colour



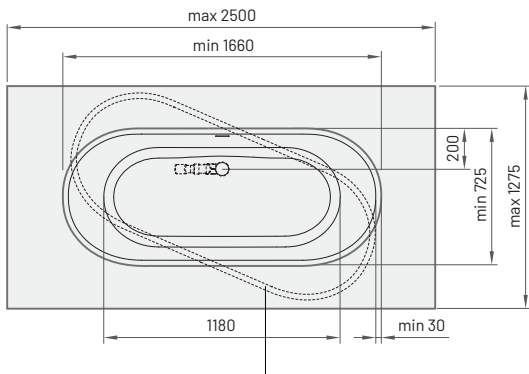
**DECO SHAPE**

Made to Measure  
 1660-2500 x 725-1275 mm  
 h = 630 mm  
 Volume: 240 l  
 Weight: 130 kg  
 Integrated push-open  
 drain-overflow (included).

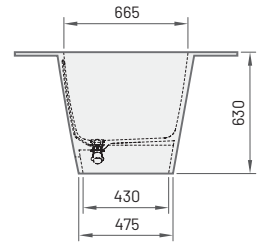
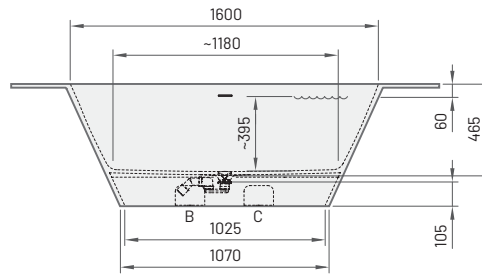
Bath in Silkstone®, 1660-1800 x 725-850 mm*	4200	4935	VADESHM/xx
Bath in Silkstone®, 1660-2500 x 725-1275 mm*	4935	5670	VADESHL/xx

\* The surface of the DECO SHAPE bathtub is made to the exact measurements and shape provided by the client, therefore a drawing of the bathtub must be included in the order (see page 40).  
 Corner roundings, cuttings and cut-outs are included in the price.  
 Only the surface of a bathtub is tinted (see Silkstone® tints on page 43).

Not all bathtub sizes have a tinted surface (should be agreed upon).  
 Cut-outs for the mixer tap and sewer connection are included in the price.  
 It is possible to install mixer taps if the side width of the surface is not less than 120 mm.  
 The minimum surface area around the bathtub is shown in the drawing below.



minimum surface around the tub



DECO SHAPE RE, 1700-2000 x 825

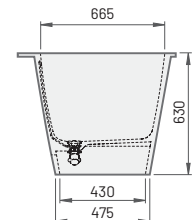
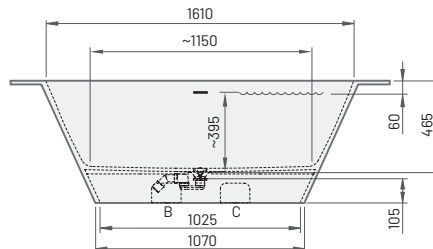
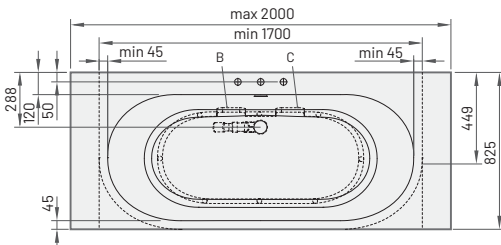
**DECO SHAPE RE**

1700-2000 x 825 mm  
 h = 630 mm  
 Volume: 240 l  
 Weight: 110 kg  
 Integrated push-open  
 drain-overflow (included)

Bath in Silkstone®, 1700-2000 x 825 mm*	4150	4885	VADESHRE/xx
---	------	------	-------------

\* The surface length of the DECO SHAPE RE bathtub is adjusted according to the measurements provided by the client, therefore, when placing an order, it is mandatory to attach a drawing that indicates the length of the bathtub and the location of the mixer tap cut-outs with their measurements, if necessary (see page 40).

Only the surface of a bathtub is tinted. The name of the tint must be indicated in the order notes (see Silkstone® tints on page 43).  
 Cut-outs for the mixer tap and sewer connection are included in the price, their location must be indicated in the drawing.



Item	Description	Price EUR		Art. NR.
		White	In colour	White / In colour



DECO SHAPE RE A, 1700-2000 x 825

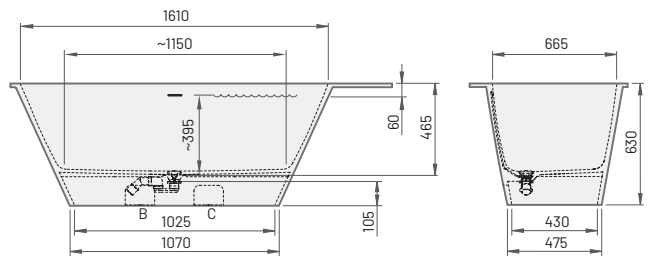
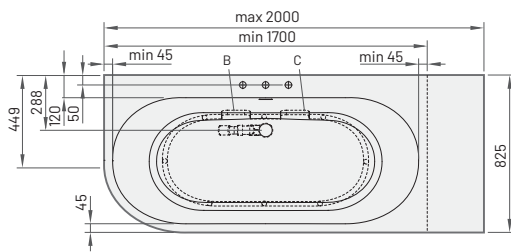
**DECO SHAPE RE A**  
 1700-2000 x 825 mm  
 h = 630 mm  
 Volume: 240 l  
 Weight: 112 kg  
 Integrated push-open  
 drain-overflow (included)

Bath in Silkstone®, 1700-2000 x 825 mm*	4150	4885	VADESHREA/xx
---	------	------	--------------

\* The surface length of the DECO SHAPE RE A bathtub is adjusted according to the measurements provided by the client, therefore, when placing an order, it is mandatory to attach a drawing that indicates the length of the bathtub and the location of the mixer tap cut-outs with their measurements, if necessary (see page 40).

Only the surface of a bathtub is tinted. The name of the tint must be indicated in the order notes (see Silkstone® tints on page 43).

Cut-outs for the mixer tap and sewer connection are included in the price, their location must be indicated in the drawing.



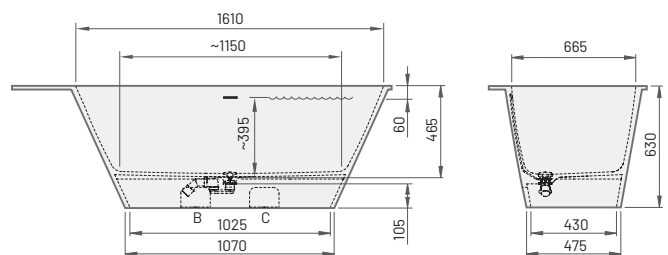
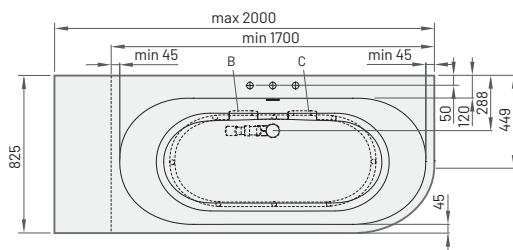
**DECO SHAPE RE D**  
 1700-2000 x 825 mm  
 h = 630 mm  
 Volume: 240 l  
 Weight: 112 kg  
 Integrated push-open  
 drain-overflow (included)

Bath in Silkstone®, 1700-2000 x 825 mm*	4150	4885	VADESHRED/xx
---	------	------	--------------

\* The surface length of the DECO SHAPE RE D bathtub is adjusted according to the measurements provided by the client, therefore, when placing an order, it is mandatory to attach a drawing that indicates the length of the bathtub and the location of the mixer tap cut-outs with their measurements, if necessary (see page 40).

Only the surface of a bathtub is tinted. The name of the tint must be indicated in the order notes (see Silkstone® tints on page 43).

Cut-outs for the mixer tap and sewer connection are included in the price, their location must be indicated in the drawing.



DECO SHAPE RE D, 1700-2000 x 825

## Example with OPUS MINI basin



OPUS MINI 600×440×100  
 OPUS MINI basin,  
 H = 100 mm, integrated brackets  
 Price € 830

## Price table for OPUS MINI basins

Surface edges height (H), mm	Length of surface (L), mm									Non-standard sizes & shapes
	450-550	551-800	801-1000	1001-1200	1201-1400	1401-1600	1601-1800	1801-2000	2001-2200	
H = 25, Matte White, 1 basin included	630	700	770	845	915	985	1070	1155	1240	Upon request
H = 30-100, Matte White, 1 basin included	745	830	915	1000	1085	1170	1255	1340	1425	
H = 110-150, Matte White, 1 basin included	855	955	1055	1155	1255	1355	1455	1555	1655	
H = 25, all tinted, 1 basin included*	945	1030	1130	1220	1300	1415	1530	1630	1740	Upon request
H = 30-100, all tinted, 1 basin included*	1060	1160	1275	1375	1470	1600	1715	1815	1925	
H = 110-150, all tinted, 1 basin included*	1170	1285	1415	1530	1640	1785	1915	2030	2155	

### Optional:

Each subsequent basin (Matte White / Tinted)**		315 / 430									Upon request
Backwall rim, h = 30 mm (always in surface tint)		190									
Wall panel, h = 60 - 200 mm	Matte White	100	130	160	190	215	245	275	330	360	
	tinted	130	160	190	215	260	300	330	385	430	
Wall panel, h = 201 - 400 mm	Matte White	190	260	315	375	430	485	545	600	660	
	tinted	230	300	360	430	500	570	645	715	785	
Towel holder (per unit)***		100									
Rounding (only, if H = 25) or cutting of a corner		100									
Additional bracket, 400 mm, white (per unit)****		65									
Preparation of drawings / 2D / 3D before product manufacture*****		90									
Outline milling on the surface (1 pcs.)		75									
Push-open drain with chromed / Silkstone® Matte White / Silkstone® tinted cover		105									
Permanent open drain with chromed / Silkstone® Matte White / Silkstone® tinted cover		100									

\* The tinted basin is available only in Matte Caffelatte, Matte Grey, Matte Oyster colours. Attention! Granite palette colors are available for the countertop only;

\*\* Basin is available, if the length of countertop (L) is equal to or more than 900 mm;

\*\*\* Towel holder is available, if the height of panel (H) is at least 100 mm and surface length (L) more than: 450 mm;

\*\*\*\* Additional brackets must be ordered if: the load capacity of the wall is not sufficient or the H value of the surface is less than 100 mm It is recommended to use 1 bracket for every 900 mm of surface length (L). Brackets are not required if the washbasin is placed on furniture;

\*\*\*\*\* Technical advice on drawing processing, surface assembly and drawing coordination.

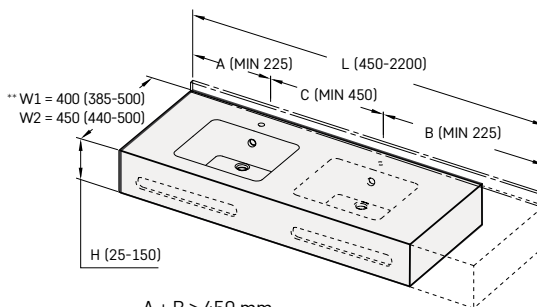
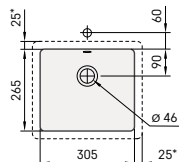
The order must be accompanied by a completed Order form for *Made to Measure* washbasins (see page 27).

There may be slight differences in the shade of white colour for basins and the rest of countertop elements. For tinted sinks, adhesive line will be visible.

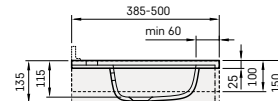
See Silkstone® product tints (see page 43). Tolerated error of dimensions for basin position and dimensions in the surface +/-5 mm.

## Sizes of OPUS MINI washbasins

OPUS MINI  
 305×265 mm



A + B ≥ 450 mm  
 A + B + C ≥ 900 mm



Additional brackets  
 (400 mm)

\* the outer perimeter of the washbasin

The distance from the cut-out for the mixer tap to the wall is min 55mm

\*\* W1 = (min-max) size when the mixer from the wall  
 W2 = (min-max) size when the mixer is placed on the surface of the sink.

Examples with OPUS basin



OPUS 1200×450×100  
OPUS basin,  
H = 100 mm, cut corner,  
integrated brackets  
Price € 1100 (1000+100)



OPUS DUO 1200×450×150  
2 OPUS basins,  
H = 150 mm, towel holder,  
backwall rim, integrated brackets  
Price € 1760 (1155 + 315 + 190 + 100)

Price table for OPUS basins

Surface edges height (H), mm	Length of surface (L), mm								Non-standard sizes & shapes
	600-800	801-1000	1001-1200	1201-1400	1401-1600	1601-1800	1801-2000	2001-2200	
H = 25, Matte White, 1 basin included	700	770	845	915	985	1070	1155	1240	Upon request
H = 30-100, Matte White, 1 basin included	830	915	1000	1085	1170	1255	1340	1425	
H = 110-150, Matte White, 1 basin included	955	1055	1155	1255	1355	1455	1555	1655	
H = 25, all tinted, 1 basin included*	1030	1130	1220	1300	1415	1530	1630	1740	Upon request
H = 30-100, all tinted, 1 basin included*	1160	1275	1375	1470	1600	1715	1815	1925	
H = 110-150, all tinted, 1 basin included*	1285	1415	1530	1640	1785	1915	2030	2155	

Optional:

Optional:	315 / 430								Upon request	
Each subsequent basin (Matte White / Tinted)**	190									
Backwall rim, h = 30 mm (always in surface tone)	190									
Wall panel, h = 60 - 200 mm	Matte White	130	160	190	215	245	275	330		360
	tinted	160	190	215	260	300	330	385		430
Wall panel, h = 201 - 400 mm	Matte White	260	315	375	430	485	545	600		660
	tinted	300	360	430	500	570	645	715		785
Towel holder (per unit)***	100									
Rounding (only, if H = 25) or cutting of a corner	100									
Additional bracket, 400 mm, white (per unit)****	65									
Preparation of drawings / 2D / 3D before product manufacture*****	90									
Outline milling on the surface (1 pcs.)	75									
Push-open drain with chromed / Silkstone® Matte White / Silkstone® tinted cover	105									
Permanent open drain with chromed / Silkstone® Matte White / Silkstone® tinted cover	100									

\* The tinted basin is available only in Matte Caffelatte, Matte Grey, Matte Oyster colours. Attention! Granite palette colors are available for the countertop only;

\*\* Basin is available, if the length of countertop (L) is equal to or more than: 1200 mm;

\*\*\* The towel holder is available if the height of the surface edge (H) is 100 mm and the distance from the side edge of the washbasin to the centre of the basin (A, B ≥ 350 mm);

\*\*\*\* Additional brackets must be ordered if: the load capacity of the wall is not sufficient or the H value of the surface is less than 100 mm It is recommended to use 1 bracket for every 900 mm of surface length (L). Brackets are not required if the washbasin is placed on furniture;

\*\*\*\*\* Technical advice on drawing processing, surface assembly and drawing coordination.

The order must be accompanied by a completed Order form for Made to Measure washbasins (see page 27).

There may be slight differences in the shade of white colour for basins and the rest of countertop elements. For tinted sinks, adhesive line will be visible.

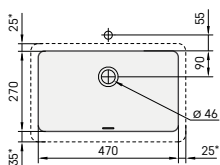
See Silkstone® product tints (see page 43). Tolerated error of dimensions for basin position and dimensions in the surface +/- 5 mm.

Sizes of OPUS washbasins

OPUS

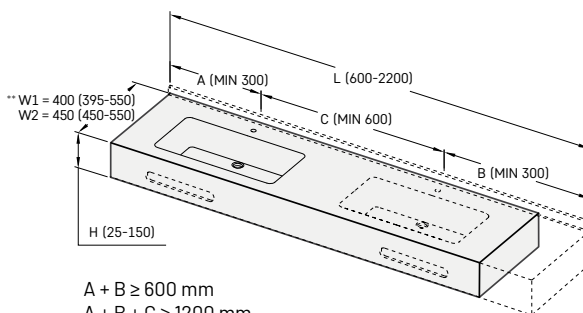
470×270 mm

Front side integrated overflow



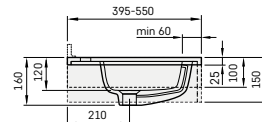
\* the outer perimeter of the washbasin

The distance from the cut-out for the mixer tap to the wall is min 55mm



A + B ≥ 600 mm  
A + B + C ≥ 1200 mm

\*\* W1 = (min-max) size when the mixer from the wall  
W2 = (min-max) size when the mixer is placed on the surface of the sink.



Additional brackets (400 mm)

All prices in EUR



# MADE TO MEASURE SILKSTONE® WASHBASINS

## Examples with OPUS GRANDE basins



OPUS GRANDE 1200×500×100  
OPUS GRANDE basin,  
H = 100 mm, integrated brackets  
Price € 1100



OPUS GRANDE 1450×550×150  
2 OPUS GRANDE basins,  
H = 150 mm, backwall rim,  
towel holder, integrated brackets  
Price € 2105 (1455 + 360 + 190 + 100)

## Price table for OPUS GRANDE basins

Surface edges height (H), mm	Length of surface (L), mm								Non-standard sizes & shapes	
	700-800	801-1000	1001-1200	1201-1400	1401-1600	1601-1800	1801-2000	2001-2200		
H = 25, Matte White, 1 basin included	815	900	985	1070	1155	1240	1330	1415	Upon request	
H = 30-100, Matte White, 1 basin included	930	1015	1100	1185	1270	1355	1440	1525		
H = 110-150, Matte White, 1 basin included	1000	1115	1230	1340	1455	1570	1685	1800		
H = 25, all tinted, 1 basin included*	1190	1300	1400	1500	1630	1740	1845	1960	Upon request	
H = 30-100, all tinted, 1 basin included*	1305	1415	1515	1615	1745	1855	1955	2070		
H = 110-150, all tinted, 1 basin included*	1375	1515	1645	1770	1930	2070	2200	2345		
Optional:										
Each subsequent basin (Matte White / Tinted)**	360 / 515								Upon request	
Backwall rim, h = 30 mm (always in surface tone)	190									
Wall panel, h = 60 - 200 mm	Matte White	130	160	190	215	245	275	330		360
	tinted	160	190	215	260	300	330	385		430
Wall panel, h = 201 - 400 mm	Matte White	260	315	375	430	485	545	600		660
	tinted	300	360	430	500	570	645	715		785
Towel holder (per unit)***	100									
Rounding (only, if H = 25) or cutting of a corner	100									
Additional bracket, 480 mm, white (per unit)****	65									
Preparation of drawings / 2D / 3D before product manufacture*****	90									
Outline milling on the surface (1 pcs.)	75									
Push-open drain with chromed / Silkstone® Matte White / Silkstone® tinted cover	105									
Permanent open drain with chromed / Silkstone® Matte White / Silkstone® tinted cover	100									

\* The tinted basin is available only in Matte Caffelatte, Matte Grey, Matte Oyster colours. Attention! Granite palette colors are available for the countertop only;

\*\* Basin is available, if the length of countertop (L) is equal to or more than 1400 mm;

\*\*\* Towel holder is available, if the height of panel (H) is at least 100 mm and surface length (L) more than: 700 mm;

\*\*\*\* Additional brackets must be ordered if: the load capacity of the wall is not sufficient or the H value of the surface is less than 100 mm It is recommended to use 1 bracket for every 900 mm of surface length (L). Brackets are not required if the washbasin is placed on furniture;

\*\*\*\*\* Technical advice on drawing processing, surface assembly and drawing coordination.

The order must be accompanied by a completed Order form for *Made to Measure* washbasins (see page 27).

There may be slight differences in the shade of white colour for basins and the rest of countertop elements. For tinted sinks, adhesive spots will be visible.

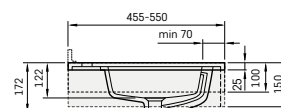
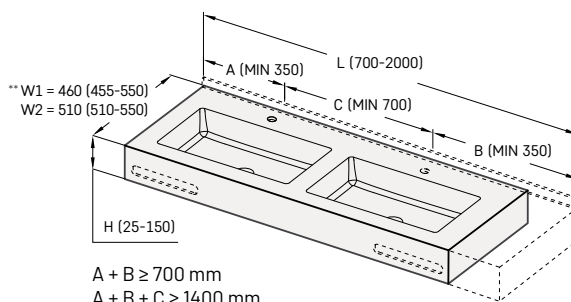
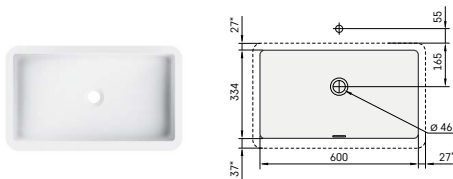
See Silkstone® product tints (see page 43). Tolerated error of dimensions for basin position and dimensions in the surface +/-5 mm.

## Sizes of OPUS GRANDE washbasins

### OPUS GRANDE

600×334 mm

Front side integrated overflow



Additional brackets (480 mm)

\* the outer perimeter of the washbasin

The distance from the cut-out for the mixer tap to the wall is min 55mm.

\*\*W1 = (min-max) size when the mixer from the wall

W2 = (min-max) size when the mixer is placed on the surface of the sink.

Examples with STRETTO basins



STRETTO 550×300×150  
STRETTO basin,  
H = 150 mm, integrated brackets  
Price € 800



STRETTO DUO 1200×300×150  
2 STRETTO basins,  
H = 150 mm, integrated brackets  
Price € 1415 (1100+315)

Price table for STRETTO basins

Surface edges height (H), mm	Lenght of surface (L), mm									Non-standard sizes & shapes
	500-550	551-800	801-1000	1001-1200	1201-1400	1401-1600	1601-1800	1801-2000	2001-2200	
H = 150, Matte White, 1 basin included	800	900	1000	1100	1200	1300	1400	1500	1600	Upon request
H = 150, all tinted, 1 basin included*	1085	1200	1330	1445	1560	1700	1830	1945	2075	Upon request

Optional:

Each subsequent basin (Matte White / Tinted)**	315 / 400									Upon request	
Backwall rim, h = 30 mm (always in surface tone)	190										
Wall panel, h = 60 - 200 mm	Matte White	100	130	160	190	215	245	275	330		360
	tinted	130	160	190	215	260	300	330	385		430
Wall panel, h = 201 - 400 mm	Matte White	190	245	330	375	460	500	545	615		685
	tinted	230	300	360	430	500	570	645	715		785
Towel holder (per unit)***	100										
Rounding (only, if H = 25) or cutting of a corner	100										
Preparation of drawings / 2D / 3D before product manufacture****	90										
Outline milling on the surface (1 pcs.)	75										
Permanent open drain with chromed / Silkstone® Matte White / Silkstone® tinted cover	100										

- \* The tinted basin is available only in Matte Caffelatte, Matte Grey, Matte Oyster colours. Attention! Granite palette colors are available for the countertop only;
- \*\* Basin is available, if the length of countertop (L) is equal to or more than 1050 mm;
- \*\*\* Towel holder is available, if the height of panel (H) is at least 100 mm and surface length (L) more than: 500 mm;
- \*\*\*\* Technical advice on drawing processing, surface assembly and drawing coordination.

Integrated brackets are included in complectation.

The order must be accompanied by a completed Order form for *Made to Measure* washbasins (see page 27).

There may be slight differences in the shade of white colour for basins and the rest of countertop elements. For tinted sinks, adhesive spots will be visible. See Silkstone® product tints (see page 43). Tolerated error of dimensions for basin position and dimensions in the surface +/-5 mm.

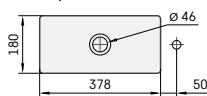
Sizes of STRETTO washbasins

STRETTO

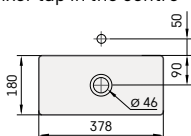
378×180 mm  
Washbasin without overflow  
Overflow is available in additional ordered.



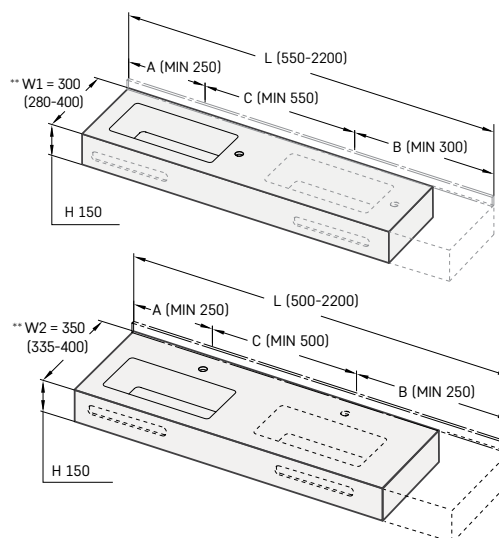
Mixer tap on the sides



Mixer tap in the centre



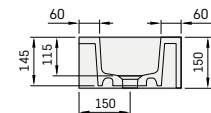
The distance from the cut-out for the mixer tap to the wall is min 55mm.



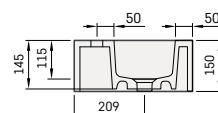
\*\*W1 = (min-max) size when the mixer from the wall  
W2 = (min-max) size when the mixer is placed on the surface of the sink.

Minimal length (L) of countertop STRETTO, mixer tap on basin side:  
1 basin: A + B ≥ 550 mm  
2 basins: A + B + C ≥ 1100 mm

Minimal length (L) of countertop STRETTO, without mixer tap:  
1 basin: A + B ≥ 500 mm  
2 basins: A + B + C ≥ 1000 mm



Minimal length (L) of countertop STRETTO, mixer tap on basin center:  
1 basin: A + B ≥ 500 mm  
2 basins: A + B + C ≥ 1100 mm



All prices in EUR

# MADE TO MEASURE SILKSTONE® WASHBASINS

## Examples with ROUND basin



ROUND 500 × 500 × 150  
ROUND basin,  
H = 150 mm, integrated brackets  
Price € 1000



ROUND 1800 × 550 × 150  
3 ROUND basins, H = 150 mm,  
backwall rim, integrated brackets  
Price € 2480 (1570 + (2 × 360) + 190)

## Price table for ROUND basins

Surface edges height (H), mm	Length of surface (L), mm								Non-standard sizes & shapes
	500-800	801-1000	1001-1200	1201-1400	1401-1600	1601-1800	1801-2000	2001-2200	
H = 25, Matte White, 1 basin included	815	900	985	1070	1155	1240	1330	1415	Upon request
H = 30-100, Matte White, 1 basin included	930	1015	1100	1185	1270	1355	1440	1525	
H = 110-150, Matte White, 1 basin included	1000	1115	1230	1340	1455	1570	1685	1800	
H = 25, all tinted, 1 basin included*	1190	1300	1400	1500	1630	1740	1845	1960	Upon request
H = 30-100, all tinted, 1 basin included*	1305	1415	1515	1615	1745	1855	1955	2070	
H = 110-150, all tinted, 1 basin included*	1375	1515	1645	1770	1930	2070	2200	2345	

Optional:

Each subsequent basin (Matte White / Tinted)**	360 / 515								Upon request	
Backwall rim, h = 30 mm (always in surface tone)	190									
Wall panel, h = 60 - 200 mm	Matte White	130	160	190	215	245	275	330		360
	tinted	160	190	215	260	300	330	385		430
Wall panel, h = 201 - 400 mm	Matte White	260	315	375	430	485	545	600		660
	tinted	300	360	430	500	570	645	715		785
Towel holder (per unit)***	100									
Rounding (only, if H = 25) or cutting of a corner	100									
Additional bracket, 400 / 480 mm, white (per unit)****	65									
Preparation of drawings / 2D / 3D before product manufacture*****	90									
Outline milling on the surface (1 pcs.)	75									
Push-open drain with chromed / Silkstone® Matte White / Silkstone® tinted cover	105									
Permanent open drain with chromed / Silkstone® Matte White / Silkstone® tinted cover	100									

\* The tinted basin is available only in Matte Caffelatte, Matte Grey, Matte Oyster colours. Attention! Granite palette colors are available for the countertop only;

\*\* Basin is available, if the length of countertop (L) is equal to or more than 1050 mm;

\*\*\* Towel holder is available, if the height of panel (H) is at least 100 mm and surface length (L) more than: 500 mm;

\*\*\*\* Additional brackets must be ordered if: the load capacity of the wall is not sufficient or the H value of the surface is

less than 100 mm It is recommended to use 1 bracket for every 900 mm of surface length (L). Brackets are not required if the washbasin is placed on furniture;

\*\*\*\*\* Technical advice on drawing processing, surface assembly and drawing coordination.

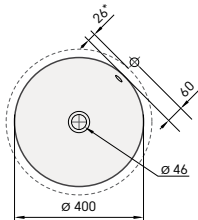
The order must be accompanied by a completed Order form for *Made to Measure* washbasins (see page 27).

There may be slight differences in the shade of white colour for basins and the rest of countertop elements. For tinted sinks, adhesive spots will be visible.

See Silkstone® product tints (see page 43). Tolerated error of dimensions for basin position and dimensions in the surface +/- 5 mm.

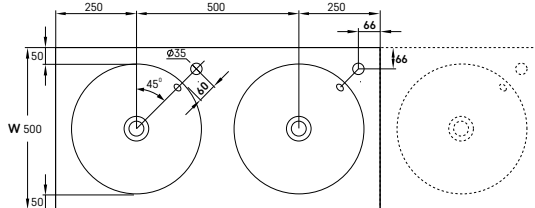
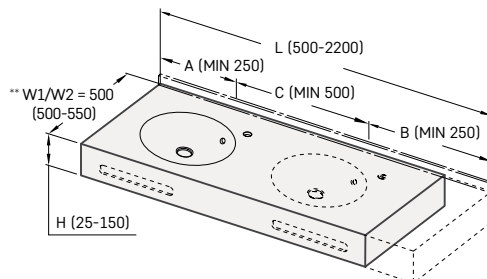
## Sizes of ROUND washbasins

ROUND  
D 400 mm



\* the outer perimeter of the washbasin

The distance from the cut-out for the mixer tap to the wall is min 55mm.



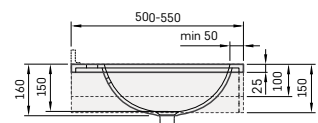
\*\* W1 = (min-max) size when the mixer from the wall

W2 = (min-max) size when the mixer is placed on the surface of the sink.

Minimal length for ROUND basins with mixer tap cut-out 45° from center:

A + B ≥ 500 mm

A + B + C ≥ 1000 mm



Additional brackets  
(480 mm)

All prices in EUR

Examples with OVO basins



OVO DUO 1400 × 500 × 150  
 2 OVO basins, H = 150 mm,  
 towel holder, backwall rim, integrated brackets  
 Price € 1990 (1340+ 360 + 190 + 100)

Price table for OVO basins

Surface edges height (H), mm	Lenght of surface (L), mm								Non-standard sizes & shapes
	650-800	801-1000	1001-1200	1201-1400	1401-1600	1601-1800	1801-2000	2001-2200	
H = 25, Matte White, 1 basin included	815	900	985	1070	1155	1240	1330	1415	Upon request
H = 30-100, Matte White, 1 basin included	930	1015	1100	1185	1270	1355	1440	1525	
H = 110-150, Matte White, 1 basin included	1000	1115	1230	1340	1455	1570	1685	1800	
H = 25, all tinted, 1 basin included*	1190	1300	1400	1500	1630	1740	1845	1960	Upon request
H = 30-100, all tinted, 1 basin included*	1305	1415	1515	1615	1745	1855	1955	2070	
H = 110-150, all tinted, 1 basin included*	1375	1515	1645	1770	1930	2070	2200	2345	

Optional:

Each subsequent basin (Matte White / Tinted)**	360 / 515								Upon request	
Backwall rim, h = 30 mm (always in surface tone)	190									
Wall panel, h = 60 - 200 mm	Matte White	130	160	190	215	245	275	330		360
	tinted	160	190	215	260	300	330	385		430
Wall panel, h = 201 - 400 mm	Matte White	260	315	375	430	485	545	600		660
	tinted	300	360	430	500	570	645	715		785
Towel holder (per unit)***	100									
Rounding (only, if H = 25) or cutting of a corner	100									
Additional bracket, 400 / 480 mm, white (1 pcs.)****	65									
Preparation of drawings / 2D / 3D before product manufacture*****	90									
Outline milling on the surface (1 pcs.)	75									
Push-open drain with chromed / Silkstone® Matte White / Silkstone® tinted cover	105									
Permanent open drain with chromed / Silkstone® Matte White / Silkstone® tinted cover	100									

\* The tinted basin is available only in Matte Caffelatte, Matte Grey, Matte Oyster colours. Attention! Granite palette colors are available for the countertop only;

\*\* Basin is available, if the length of countertop (L) is equal to or more than 1250 mm;

\*\*\* Towel holder is available, if the height of panel (H) is at least 100 mm and surface length (L) more than: 650 mm;

\*\*\*\* Additional brackets must be ordered if: the load capacity of the wall is not sufficient or the H value of the surface is less than 100 mm It is recommended to use 1 bracket for every 900 mm of surface length (L). Brackets are not required if the washbasin is placed on furniture;

\*\*\*\*\* Technical advice on drawing processing, surface assembly and drawing coordination.

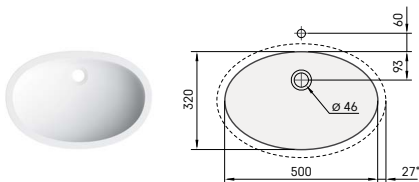
The order must be accompanied by a completed Order form for *Made to Measure* washbasins (see page 27).

There may be slight differences in the shade of white colour for basins and the rest of countertop elements. For tinted sinks, adhesive spots will be visible.

See Silkstone® product tints (see page 43). Tolerated error of dimensions for basin position and dimensions in the surface +/- 5 mm.

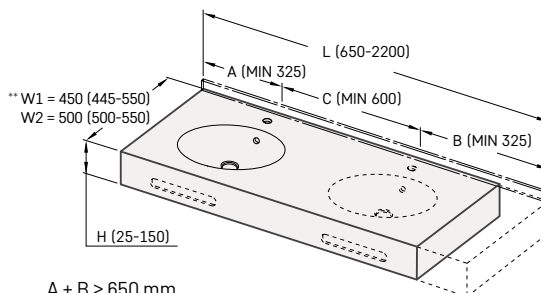
Sizes of OVO washbasins

OVO  
 500 × 320 mm



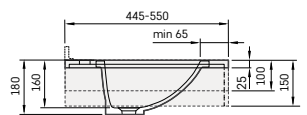
\* the outer perimeter of the washbasin

The distance from the cut-out for the mixer tap to the wall is min 55mm.



A + B ≥ 650 mm  
 A + B + C ≥ 1250 mm

\*\* W1 = (min-max) size when the mixer from the wall  
 W2 = (min-max) size when the mixer is placed on the surface of the sink.



Additional brackets  
 (400 mm, if W 480-499 mm)  
 (480 mm, if W 500-550 mm)

All prices in EUR

**Example with PIANO basin**



PIANO DUO 1600×600×150  
2 PIANO basins, panel (H = 150 mm),  
backwall rim, integrated brackets  
Price € 1940 (1570+375+190)

**Price table for PIANO basins**

Surface edges height (H), mm	Lenght of surface (L), mm								Non-standard sizes & shapes
	700-800	801-1000	1001-1200	1201-1400	1401-1600	1601-1800	1801-2000	2001-2200	
H = 25, Matte White, 1 basin included	870	970	1070	1170	1270	1370	1470	1570	Upon request
H = 30-100, Matte White, 1 basin included	985	1085	1185	1285	1385	1485	1585	1685	
H = 110-150, Matte White, 1 basin included	1115	1230	1340	1455	1570	1685	1800	1910	
H = 25, all tinted, 1 basin included*	1285	1415	1530	1645	1785	1915	2030	2155	Upon request
H = 30-100, all tinted, 1 basin included*	1400	1530	1645	1760	1900	2030	2145	2270	
H = 110-150, all tinted, 1 basin included*	1530	1675	1800	1930	2085	2230	2360	2495	

Optional:

Each subsequent basin (Matte White / Tinted)**	375 / 570								Upon request	
Backwall rim, h = 30 mm (always in surface tone)	190									
Wall panel, h = 60 - 200 mm	Matte White	130	160	190	215	245	275	330		360
	tinted	160	190	215	260	300	330	385		430
Wall panel, h = 201 - 400 mm	Matte White	260	315	375	430	485	545	600		660
	tinted	300	360	430	500	570	645	715		785
Towel holder (per unit)***	100									
Rounding (only, if H = 25) or cutting of a corner	100									
Additional bracket, 480 mm, white (per unit)****	65									
Preparation of drawings / 2D / 3D before product manufacture*****	90									
Outline milling on the surface (1 pcs.)	75									
Push-open drain with chromed / Silkstone® Matte White / Silkstone® tinted cover	105									
Permanent open drain with chromed / Silkstone® Matte White / Silkstone® tinted cover	100									

\* The tinted basin is available only in Matte Caffelatte, Matte Grey, Matte Oyster colours. Attention! Granite palette colors are available for the countertop only;

\*\* Basin is available, if the length of countertop (L) is equal to or more than 1400 mm;

\*\*\* Towel holder is available, if the height of panel (H) is at least 100 mm and surface length (L) more than 700 mm;

\*\*\*\* Additional brackets must be ordered if: the load capacity of the wall is not sufficient or the H value of the surface is less than 100 mm It is recommended to use 1 bracket for every 900 mm of surface length (L). Brackets are not required if the washbasin is placed on furniture;

\*\*\*\*\* Technical advice on drawing processing, surface assembly and drawing coordination.

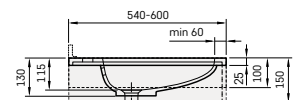
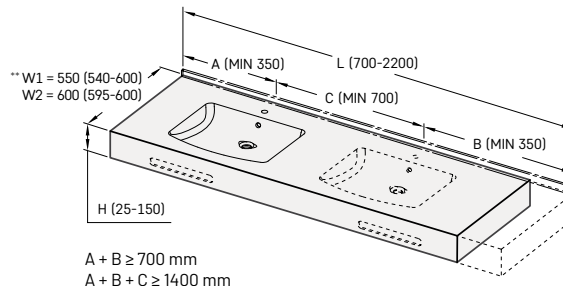
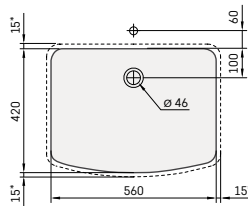
The order must be accompanied by a completed Order form for *Made to Measure* washbasins (see page 27).

There may be slight differences in the shade of white colour for basins and the rest of countertop elements. For tinted sinks, adhesive spots will be visible.

See Silkstone® product tints (see page 43). Tolerated error of dimensions for basin position and dimensions in the surface +/-5 mm.

**Sizes of PIANO washbasins**

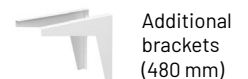
PIANO  
560×420 mm



\* the outer perimeter of the washbasin

The distance from the cut-out for the mixer tap to the wall is min 55mm

\*\* W1 = (min-max) size when the mixer from the wall  
W2 = (min-max) size when the mixer is placed on the surface of the sink.



Example with CREDO basin



CREDO 1200×600×25  
 CREDO basin, w/o panel (H = 25 mm),  
 backwall rim, 3 additional brackets  
 Price € 1455 (1070 + 190 + (3×65))

Price table for CREDO basins

Surface edges height (H), mm	Lenght of surface (L), mm								Non-standard sizes & shapes
	600-800	801-1000	1001-1200	1201-1400	1401-1600	1601-1800	1801-2000	2001-2200	
H = 25, Matte White, 1 basin included	870	970	1070	1170	1270	1370	1470	1570	Upon request
H = 30-100, Matte White, 1 basin included	985	1085	1185	1285	1385	1485	1585	1685	
H = 110-150, Matte White, 1 basin included	1115	1230	1340	1455	1570	1685	1800	1910	
H = 25, all tinted, 1 basin included*	1285	1415	1530	1645	1785	1915	2030	2155	Upon request
H = 30-100, all tinted, 1 basin included*	1400	1530	1645	1760	1900	2030	2145	2270	
H = 110-150, all tinted, 1 basin included*	1530	1675	1800	1930	2085	2230	2360	2495	

Optional:

Each subsequent basin (Matte White / Tinted)**	375 / 570								Upon request	
Backwall rim, h = 30 mm (always in surface tone)	190									
Wall panel, h = 60 - 200 mm	Matte White	130	160	190	215	245	275	330		360
	tinted	160	190	215	260	300	330	385		430
Wall panel, h = 201 - 400 mm	Matte White	260	315	375	430	485	545	600		660
	tinted	300	360	430	500	570	645	715		785
Towel holder (per unit)**	100									
Rounding (only, if H = 25) or cutting of a corner	100									
Additional bracket, 480 mm, white (per unit)***	65									
Preparation of drawings / 2D / 3D before product manufacture****	90									
Outline milling on the surface (1 pcs.)	75									
Push-open drain with chromed / Silkstone® Matte White / Silkstone® tinted cover	105									
Permanent open drain with chromed / Silkstone® Matte White / Silkstone® tinted cover	100									

\* The tinted basin is available only in Matte Caffelatte, Matte Grey, Matte Oyster colours. Attention! Granite palette colors are available for the countertop only;

\*\* Basin is available, if the length of countertop (L) is equal to or more than 1200 mm;

\*\*\* The towel holder is available if the height of the surface edge (H) is 100 mm and the distance from the side edge of the washbasin to the centre of the basin (A, B ≥ 350 mm);

\*\*\*\* Additional brackets must be ordered if: the load capacity of the wall is not sufficient or the H value of the surface is less than 100 mm It is recommended to use 1 bracket for every 900 mm of surface length (L). Brackets are not required if the washbasin is placed on furniture;

\*\*\*\*\* Technical advice on drawing processing, surface assembly and drawing coordination.

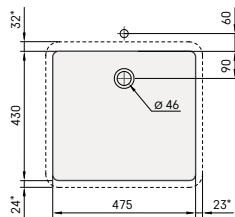
The order must be accompanied by a completed Order form for *Made to Measure* washbasins (see page 27).

There may be slight differences in the shade of white colour for basins and the rest of countertop elements. For tinted MTM sinks, adhesive spots will be visible.

See Silkstone® product tints (see page 43). Tolerated error of dimensions for basin position and dimensions in the surface +/- 5 mm.

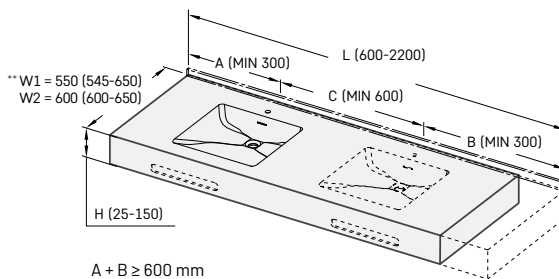
Sizes of CREDO washbasins

CREDO  
 475 × 430 mm  
 integrated overflow



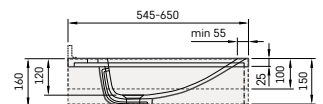
\* the outer perimeter of the washbasin

The distance from the cut-out for the mixer tap to the wall is min 55mm



A + B ≥ 600 mm  
 A + B + C ≥ 1200 mm

\*\* W1 = (min-max) size when the mixer from the wall  
 W2 = (min-max) size when the mixer is placed on the surface of the sink.



Additional brackets (480 mm)

All prices in EUR

**Examples with QUADRO basins**



QUADRO 1200×480×100  
 QUADRO basin,  
 H = 100 mm, integrated brackets  
 Price € 1315

**Price table for QUADRO basins**

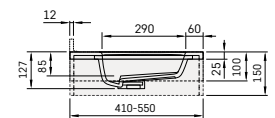
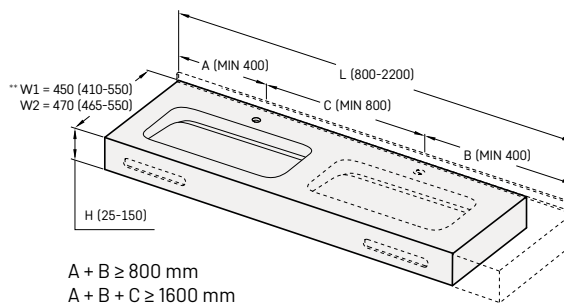
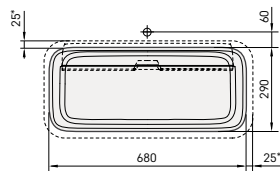
Surface edges height (H), mm	Length of surface (L), mm							Non-standard sizes & shapes	
	800-1000	1001-1200	1201-1400	1401-1600	1601-1800	1801-2000	2001-2200		
H = 25, Matte White, 1 basin included	1100	1200	1300	1400	1500	1600	1700	Upon request	
H = 30-100, Matte White, 1 basin included	1215	1315	1415	1515	1615	1710	1810		
H = 110-150, Matte White, 1 basin included	1355	1470	1585	1700	1810	1925	2040		
H = 25, all tinted, 1 basin included*	1545	1660	1775	1915	2045	2160	2285	Upon request	
H = 30-100, all tinted, 1 basin included*	1660	1775	1890	2030	2160	2270	2395		
H = 110-150, all tinted, 1 basin included*	1800	1930	2060	2215	2355	2485	2625		
Optional:									
Each subsequent basin (Matte White / Tinted)**	500 / 685							Upon request	
Backwall rim, h = 30 mm (always in surface tone)	190								
Wall panel, h = 60 - 200 mm	Matte White	160	190	215	245	275	330		360
	tinted	190	215	260	300	330	385		430
Wall panel, h = 201 - 400 mm	Matte White	315	375	430	485	545	600		660
	tinted	360	430	500	570	645	715		785
Towel holder (per unit)**	100								
Rounding (only, if H = 25) or cutting of a corner	100								
Additional bracket, 480 mm, white (per unit)***	65								
Preparation of drawings / 2D / 3D before product manufacture****	90								
Outline milling on the surface (1 pcs.)	75								

- \* The tinted basin is available only in Matte Caffelatte, Matte Grey, Matte Oyster colours. Attention! Granite palette colors are available for the countertop only;
- \*\* Basin is available, if the length of countertop (L) is equal to or more than 1600 mm;
- \*\*\* Towel holder is available, if the height of panel (H) is at least 100 mm and surface length (L) more than: 800 mm;
- \*\*\*\* Additional brackets must be ordered if: the load capacity of the wall is not sufficient or the H value of the surface is less than 100 mm It is recommended to use 1 bracket for every 900 mm of surface length (L). Brackets are not required if the washbasin is placed on furniture;
- \*\*\*\*\* Technical advice on drawing processing, surface assembly and drawing coordination.

The order must be accompanied by a completed Order form for *Made to Measure* washbasins (see page 27).  
 There may be slight differences in the shade of white colour for basins and the rest of countertop elements. For tinted sinks, adhesive spots will be visible.  
 See Silkstone® product tints (see page 43). Tolerated error of dimensions for basin position and dimensions in the surface +/-5 mm.

**Sizes of QUADRO washbasins**

QUADRO  
 680×290mm



\* the outer perimeter of the washbasin

The distance from the cut-out for the mixer tap to the wall is min 55mm

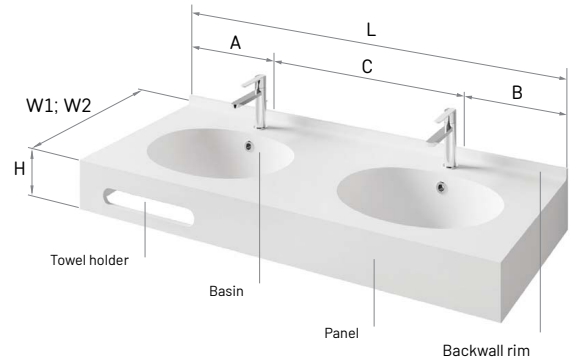
\*\* W1 = (min-max) size when the mixer from the wall  
 W2 = (min-max) size when the mixer is placed on the surface of the sink.



# Order form for MADE TO MEASURE washbasins

## 1. Choose your basin (mark your choice):

Take into account the requirements of each basin regards the length (L), width (W), and height (H) of countertop!



**OPUS MINI** 300 x 265 mm  
 \* W1 = 400 (385-500) mm  
 W2 = 450 (440-500) mm  
 WM = min. 60 mm; WW = 265 mm  
 WB = min. 60 mm  
 L = 450-2200; H = 25-150 mm  
 A + B ≥ 450 mm  
 A + B + C ≥ 900 mm  
 On Furniture:  
 W1 = min. 385; W2 = min. 440 mm



**OPUS** 470 x 270 mm  
 \* W1 = 400 (395-550) mm  
 W2 = 450 (450-550) mm  
 WM = min. 55 mm; WW = 270 mm  
 WB = min. 70 mm  
 L = 600-2200; H = 25-150 mm  
 A + B ≥ 600 mm  
 A + B + C ≥ 1200 mm  
 On Furniture:  
 W1 = min. 395; W2 = min. 450



**OPUS GRANDE** 600 x 334 mm  
 \* W1 = 460 (455-550) mm  
 W2 = 510 (510-550) mm  
 WM = min. 55 mm; WW = 334 mm  
 WB = min. 70 mm  
 L = 700-2200; H = 25-150 mm  
 A + B ≥ 700 mm  
 A + B + C ≥ 1400 mm  
 On Furniture:  
 W1 = min. 455; W2 = min. 510



**OVO** 500 x 320 mm  
 \* W1 = 450 (445-550) mm  
 W2 = 500 (500-550) mm  
 WM = min. 60 mm; WW = 320 mm  
 WB = min. 65 mm  
 L = 650-2200; H = 25-150 mm  
 A + B ≥ 650 mm  
 A + B + C ≥ 1250 mm  
 On Furniture:  
 W1 = min. 445; W2 = min. 500 mm



**CREDO** 475 x 430 mm  
 \* W1 = 550 (545-650) mm  
 W2 = 600 (600-650) mm  
 WM = min. 60 mm; WW = 430 mm  
 WB = min. 55 mm  
 L = 600-2200; H = 25-150 mm  
 A + B ≥ 600 mm  
 A + B + C ≥ 1200 mm  
 On Furniture:  
 W1 = min. 545; W2 = min. 600 mm



**PIANO** 560 x 420 mm  
 \* W1 = 550 (540-600) mm  
 W2 = 600 (595-600) mm  
 WM = min. 60 mm; WW = 420 mm  
 WB = min. 60 mm  
 L = 700-2200; H = 25-150 mm  
 A + B ≥ 700 mm  
 A + B + C ≥ 1400 mm  
 On Furniture:  
 W1 = min. 540; W2 = min. 595 mm



**STRETTO** 378 x 180 mm  
 \* W1 = 300 (280-400) mm  
 W2 = 350 (335-400) mm  
 WM = min. 50; WW = 180 mm  
 WB = min. 60 / 50 mm  
 L = 550/500-2200; H = 150 mm  
 A + B ≥ 550/500 mm  
 A + B + C ≥ 1100 / 1000 mm  
 On Furniture:  
 W1 = min. 280; W2 = min. 335 mm



**ROUND D** 400 mm  
 \* W1 = 500 (500-550) mm  
 W2 = 500 (500-550) mm  
 WM = min. 60; WW = 400 mm  
 WB = min. 50 mm  
 L = 600-2200; H = 25-150 mm  
 A + B ≥ 500 mm  
 A + B + C ≥ 1000 mm  
 On Furniture:  
 W1 & W2 = min. 500 mm

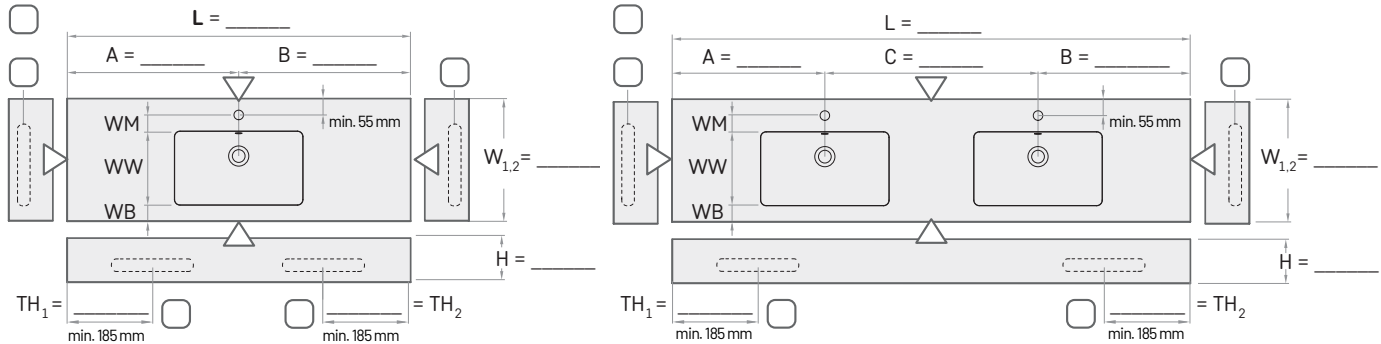


**QUADRO** 680 x 290 mm  
 \* W1 = 450 (410-550) mm  
 W2 = 470 (465-550) mm  
 WM = min. 60; WW = 290 mm  
 WB = 60 mm  
 L = 800-2200; H = 25-150 mm  
 A + B ≥ 800 mm  
 A + B + C ≥ 1600 mm  
 On Furniture:  
 W1 = min. 410; W2 = min. 465 mm  
 No overflow available

W1 = Recommended (min-max) size when the mixer from the wall

W2 = Recommended (min-max) size when the mixer is placed on the surface of the sink. Marginal deviations of the internal size of the sink and its positioning on the surface +/- 5mm.

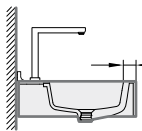
## 2. Mark the number of basins you need / write down the key measures of your countertop / mark if you need Towel holder (300 x 35 mm)\*\* fully mark ▽ to show panel location:



\*\* Towel holders TH1, TH2 are available only if the height of the panel (H) is at least 100 mm and the possible position is defined by the manufacturer.

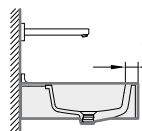
## 3. Mark the type of mixer tap placement (drilling at no additional cost)\*\*\*

MIXER TAP ON COUNTERTOP SURFACE



WB = \_\_\_\_\_

MIXER TAP FROM WALL



WB = \_\_\_\_\_

## 5. Mark if you need integrated backwall rim and wall panel, backwall rim and wall panel (thickness = 12 mm) and length equal to surface length (L):

backwall rim (h = 30mm)  wall panel h = \_\_\_\_\_ mm  NO

## 6. Mark if you want tinted washbasin, countertop & tinted wall panel (Specify a tint name):

Bowl:  MATTE WHITE  TINTED \_\_\_\_\_  
 (bowl available only in Matte White, Matte Caffelatte, Matte Grey, Matte Oyster)  
 Countertop:  MATTE WHITE  TINTED \_\_\_\_\_

## 7. Mark if brackets are needed (see recommended number of brackets below\*\*):

1 pc.  2 pcs.  NO  
 3 pcs. (L ≥ 1200 mm)  4 pcs. (L ≥ 1600 mm)  integrated brackets (H ≥ 100 mm), included in the price

## 8. Mark if it is necessary: rounding of the corner(s) of the surface (possible only if the edge height is 25 mm), cutting, milling or drilling:

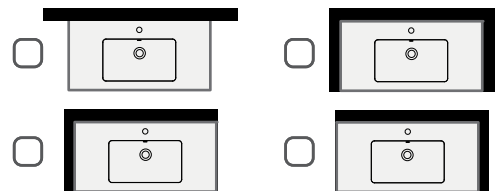
Rounding\*\*\*  Milling\*\*\*  Cutting\*\*\*  NO

## 9. Mark if overflow is needed (included in the price):

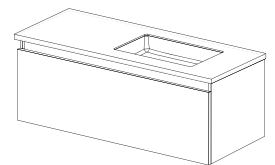
If NO is not checked, overflow will be made for all washbasins except Quadro.

YES  NO

## 4. Mark the basin position:



Countertop on furniture



## 10. Mark drain type:

- Permanent open with Silkstone® cover (DEIZSNOP/00)
- Permanent open with chrome colour cover (L2264)
- Push-open with Silkstone® cover (DEIZCLICK/00) (only for basins with overflow)
- Push-open with chrome cover (L32UM) (only for basins with overflow)



Drain

\*\*\* IMPORTANT! It is required that all the items of the form are filled in and a drawing is included with the order, specifying the position of the basins, the cut-outs for installing the mixer taps, any rounded corners and cuts, as well as any non-standard solutions: i.e. bevelled surfaces, cutouts, unusually narrow surfaces without cut-outs for installing the mixer taps (wall-mounted mixer taps) etc. If the WB value is not specified in 3., then the dimensions specified in the standard drawings are used for the location of the sink and faucet (see 1.). The integrated brackets are included in the price and are only available if H is greater than 100 mm. The metal mounting brackets must be ordered for an additional fee if the load capacity of the wall is not sufficient or if the H value of the surface is less than 100 mm, not required if the washbasin is placed on furniture.

**Prices of FLOW washbasins**

**FLOW 45**  
600-3000 x 450 mm  
h = 160 mm

Colour - Matte White

Mixer taps can only be mounted on the wall

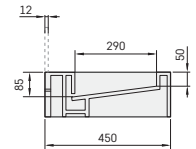
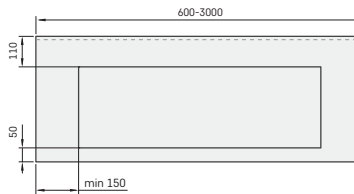
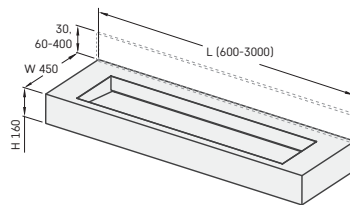
Brackets - integrated

Surface edges height (H), mm	Lenght of surface (L), mm					Non-standard sizes & shapes
	600-1000	1001-1500	1501-2000	2001-2500	2501-3000	
FLOW 45, H = 160, Silkstone®*(IFLOW450/00)	1900	2655	3410	4165	4920	Upon request

\* The integrated mount and drain position is specified individually

Optional:

Backwall rim, h = 30 mm (integrated)		190					Upon request
Wall panel, h = 60 - 200 mm (separately)	Matte White	160	245	330	3850	475	
	tinted	190	300	385	460	560	
Wall panel, h = 201 - 400 mm (separately)	Matte White	315	485	600	730	830	
	tinted	360	570	715	855	970	



**FLOW 50**  
600-3000 x 500 mm  
h = 160 mm

Colour - Matte White

Mixer taps can be mounted on the surface or on the wall

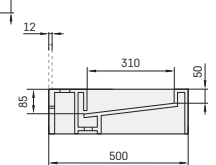
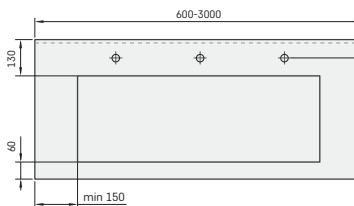
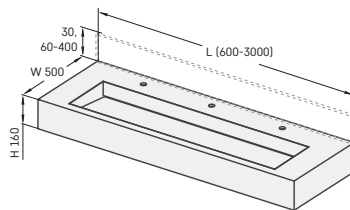
Brackets - integrated

Surface edges height (H), mm	Lenght of surface (L), mm					Non-standard sizes & shapes
	600-1000	1001-1500	1501-2000	2001-2500	2501-3000	
FLOW 50, H = 160, Silkstone®*(IFLOW500/00)	2095	2850	3610	4350	5105	Upon request

\* The amount and position of mixers, drain, and the integrated mount is specified individually

Optional:

Backwall rim, h = 30 mm (integrated)		190					Upon request
Wall panel, h = 60 - 200 mm (separately)	Matte White	160	245	330	385	475	
	tinted	190	300	385	460	560	
Wall panel, h = 201 - 400 mm (separately)	Matte White	315	485	600	730	830	
	tinted	360	570	715	855	970	



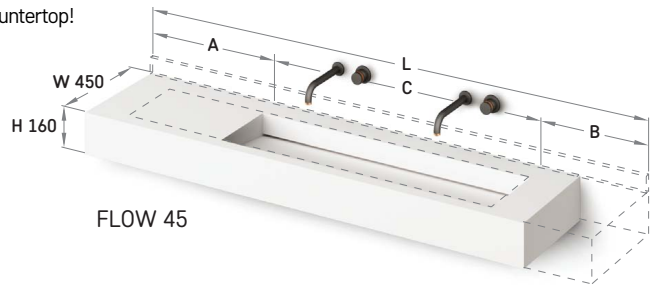
# Order form for washbasins FLOW 45/50

## 1. Choose your basin (mark your choice):

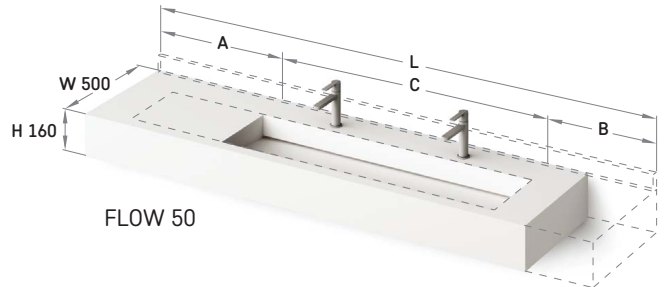
Take into account the requirements of each basin regards the length(L), width(W)of countertop!

- |                                  |                                  |
|----------------------------------|----------------------------------|
| <input type="checkbox"/> FLOW 45 | <input type="checkbox"/> FLOW 50 |
| W = 450 mm                       | W = 500 mm                       |
| W1 = 50 mm                       | W1 = 60 mm                       |
| W2 = 110 mm                      | W2 = 130 mm                      |
| L = 600-3000 mm                  | L = 600-3000 mm                  |
| H = 160 mm                       | H = 160 mm                       |
| A + B ≥ 300 mm                   | A + B ≥ 300 mm                   |
| A + B + C ≥ 600 mm               | A + B + C ≥ 600 mm               |

**WARNING!** Mixer tap holes are not available for the FLOW 45 basin.  
Tolerated error of dimensions for basin position and dimensions in the surface +/-5 mm.

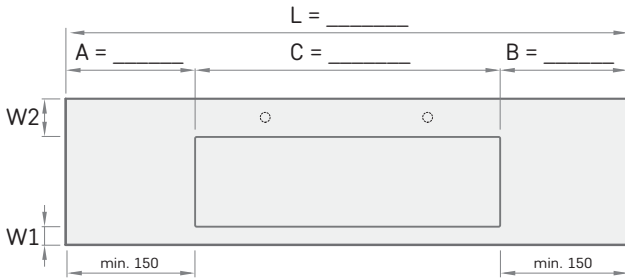


FLOW 45



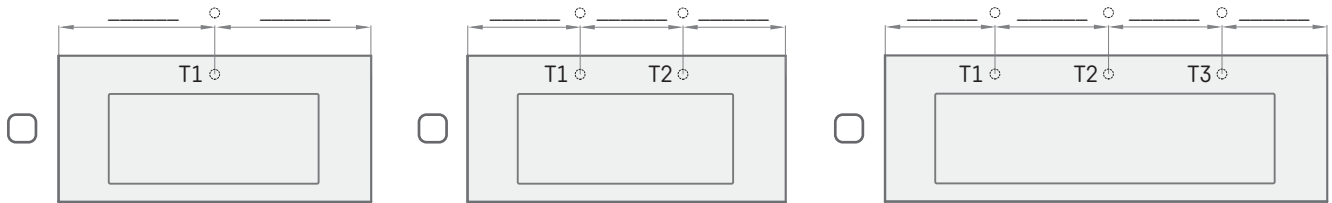
FLOW 50

## 2. Write down the key measures of washbasin:

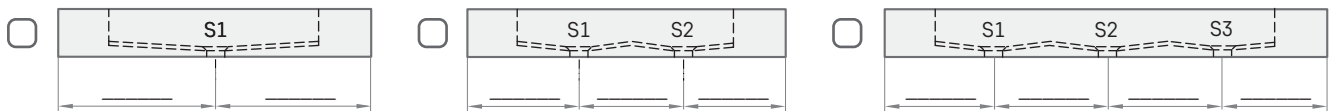


## 3. Does the sink will have a mixer from the wall or mixer will be located on the basin surface? Specify the location and number of tap holes:

- mixer from wall       mixer on the basin surface (only FLOW 50)



## 4. Indicate the location and number of syphon holes:



## 5. Mark if you need integrated backwall rim and wall panel, backwall rim and wall panel (thickness = 12 mm) and length equal to surface length(L):

- backwall rim (h = 30 mm)       wall panel h = \_\_\_\_\_ mm       NO

## 7. Mark if it is necessary milling (for example, cut for waste bin, soap dispenser, etc.)

- Milling\*\*       NO

## 6. Mark the basin position:



## 8. Comments:

**\*\* IMPORTANT!** It is required that all the items of the form are filled in and a drawing is included with the order: the position of the basins, the locations of the holes for the installation of mixer taps, if necessary, and the location and number of syphon connection. Washbasins don't have overflow. Milling on the surface requires a drawing. Integrated mounts are included in the price.

## MADE TO MEASURE SILKSTONE® SURFACES. ON-TOP WASHBASIN

### Examples with Made to Measure Silkstone® surface and ON-TOP washbasin Amore



Silkstone® surface (h= 100 mm) with ON-TOP washbasins Amore



Silkstone® surface (h= 25 mm) with ON-TOP washbasin Amore On furniture

### Prices of Made to Measure surfaces and ON-TOP washbasins

Surface width (W), mm	Surface edges height (H), mm	Length of surface (L), mm								
		205-500	501-800	801-1000	1001-1200	1201-1400	1401-1600	1601-1800	1801-2000	2001-2200
W = max. 400	H = 18 / 25	285	330	385	445	500	560	615	670	730
	H = 30-100	400	460	530	600	670	745	815	885	955
	H = 110-150	460	530	615	700	785	870	955	1045	1130
W = 401-500	H = 18 / 25	315	375	445	515	585	660	730	800	870
	H = 30-100	430	515	600	685	770	855	945	1030	1115
	H = 110-150	500	585	685	785	885	985	1085	1185	1285
W = 501-600	H = 18 / 25	375	460	560	660	760	855	955	1055	1155
	H = 30-100	460	560	660	760	855	955	1055	1155	1255
	H = 110-150	545	630	745	855	970	1085	1200	1315	1425

#### Optional:

AMORE (Matte White / TINTED / GRAPHITE) - 1 pcs.		600 / 800 / 900							
BELLA (Mate White / TINTED / GRAPHITE) - 1 pcs.		645 / 820 / 945							
DECO (Mate White / TINTED / GRAPHITE) - 1 pcs.		505 / 675 / 840							
ROUND ON (Matte White / TINTED / GRAPHITE) - 1 pcs.		420 / 585 / 695							
FELICE (Matte White / TINTED / GRAPHITE) - 1 pcs.		600 / 700 / 925							
QUADRO ON (Matte White / TINTED / GRAPHITE) - 1 pcs.		560 / 735 / 840							
PERLA (Matte White / TINTED) - 1 pcs.		560 / 735 / 840							
DO 22 (Matte White / TINTED / GRAPHITE) - 1 pcs.		190 / 290 / 325							
DO 25 (Matte White / TINTED / GRAPHITE) - 1 pcs.		240 / 295 / 345							
DO 28 (Matte White / TINTED / GRAPHITE) - 1 pcs.		270 / 315 / 365							
Backwall rim, h = 30 mm (always in surface tone)		190							
Wall panel, h = 60 - 200 mm	Matte White	130	160	190	215	245	275	330	360
	tinted	160	190	215	260	300	330	385	430
	GRAPHITE	175	215	260	300	345	385	430	485
Wall panel, h = 201 - 400 mm	Matte White	260	315	375	430	485	545	600	660
	tinted	300	360	430	500	570	645	715	785
	GRAPHITE	360	430	500	585	670	760	845	930
Towel holder (per unit)*		100							
Rounding (only, if H = 18 / 25) or cutting of a corner		100							
Preparation of drawings / 2D / 3D before product manufacture**		90							
Cut-outs in the surface, if ordered without PAA washbasin (1 pcs.)		45							
Outline milling on the surface if ordered without PAA washbasin (1 pcs.)		100							
Tinted surface (see Silkstone® tints on page 43).		215	230	260	285	315	345	375	400
GRAPHITE		275	300	330	360	385	415	445	475
Additional bracket, 300/400/480 mm, white (1 pcs.)***		65							

\* Towel holder is available, if the height of panel (H) is at least 100 mm and surface length (L) more than: 350 mm;

\*\* Technical advice on drawing processing, surface assembly and drawing coordination with other manufacturers of washbasins;

\*\*\* Standard mounts are included. Additional brackets must be ordered if: the load capacity of the wall is not sufficient or the H value of the surface is less than 100 mm. It is recommended to use 1 bracket for every 800 mm of surface length (L). Brackets are not required if the washbasin is placed on furniture;

The order must be accompanied by a completed Order form for *Made to Measure* surfaces and ON-TOP washbasins on the surface (see page 36.-37.).

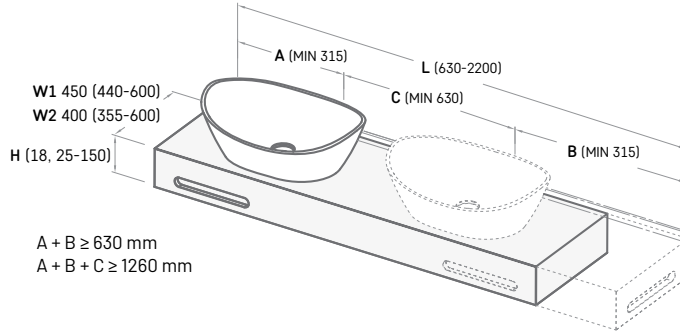
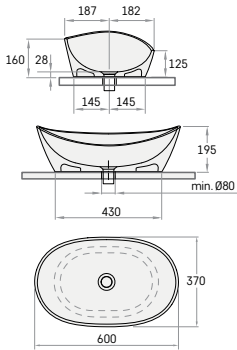
The colour of the finished surface and the washbasin may differ slightly. See Silkstone® product tints on page 43.

Non-standard sizes & shapes - upon request.

All prices in EUR

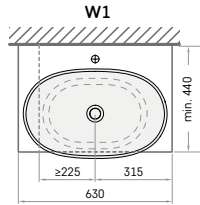
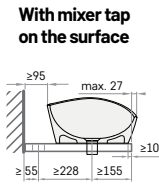
Sizes of ON-TOP washbasin AMORE

AMORE  
600×370 mm

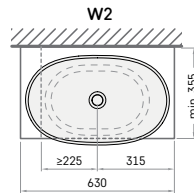
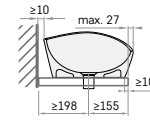


A + B ≥ 630 mm  
A + B + C ≥ 1260 mm

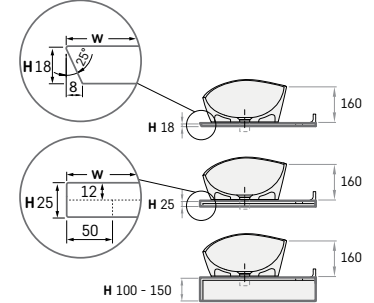
With mixer tap  
on the surface



With mixer tap  
from the wall



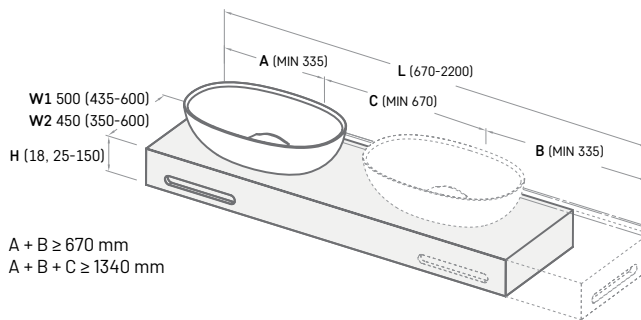
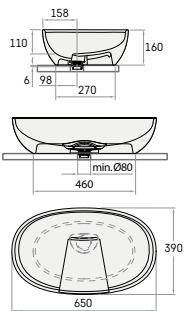
\* At H = 18 mm, the surface is monolithic and only the front edge is inclined



Additional brackets  
(300 mm, if W 354-479 mm)  
(400 mm, if W 480-499 mm)  
(480 mm, if W 500-550 mm)

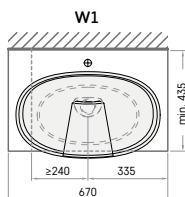
Sizes of ON-TOP washbasin BELLA

BELLA  
650×390 mm

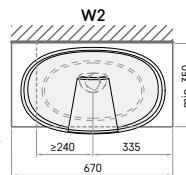
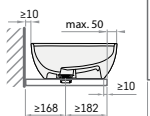


A + B ≥ 670 mm  
A + B + C ≥ 1340 mm

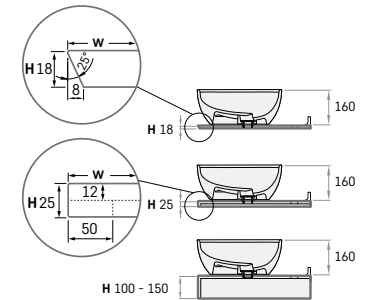
With mixer tap  
on the surface



With mixer tap  
from the wall



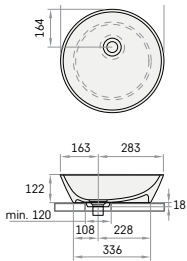
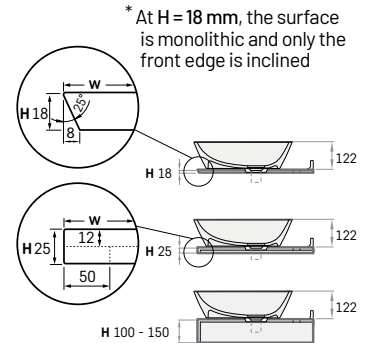
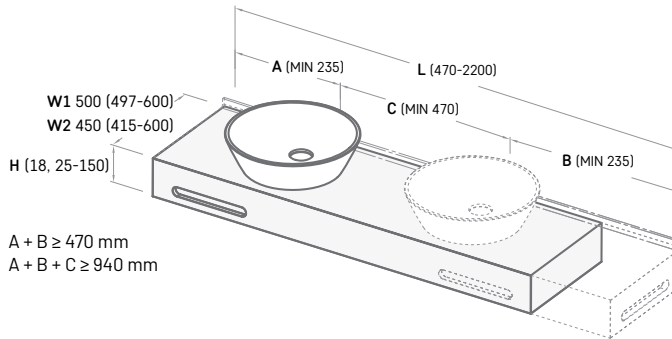
\* At H = 18 mm, the surface is monolithic and only the front edge is inclined



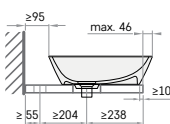
Additional brackets  
(300 mm, if W 354-479 mm)  
(400 mm, if W 480-499 mm)  
(480 mm, if W 500-550 mm)

Sizes of ON-TOP washbasin DECO

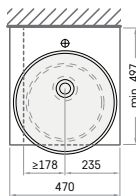
DECO  
d 450, h 122 mm



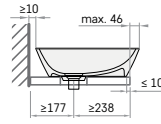
With mixer tap on the surface



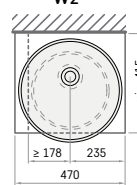
W1



With mixer tap from the wall



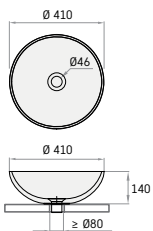
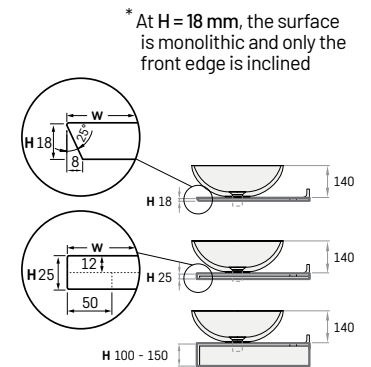
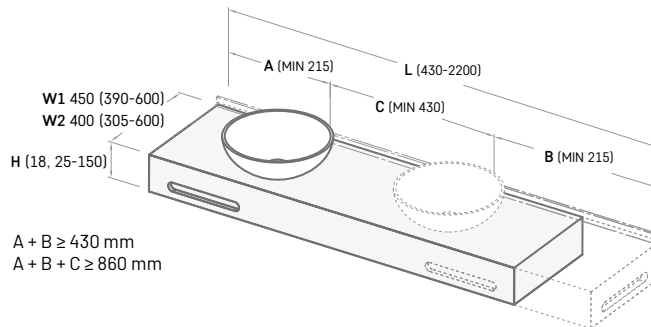
W2



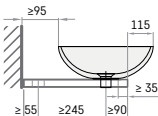
Additional brackets  
(300 mm, if W 354-479 mm)  
(400 mm, if W 480-499 mm)  
(480 mm, if W 500-550 mm)

Sizes of ON-TOP washbasin ROUND

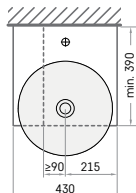
ROUND ON  
d 410, h 140 mm



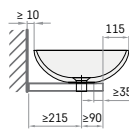
With mixer tap on the surface



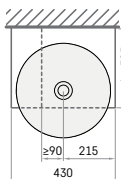
W1



With mixer tap from the wall



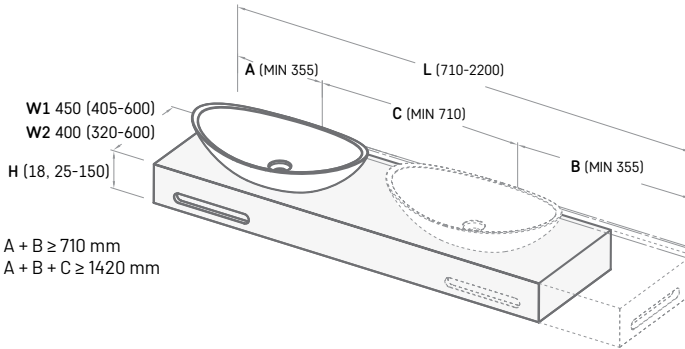
W2



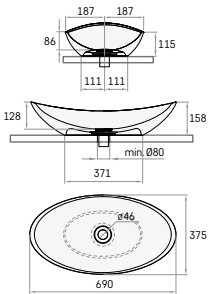
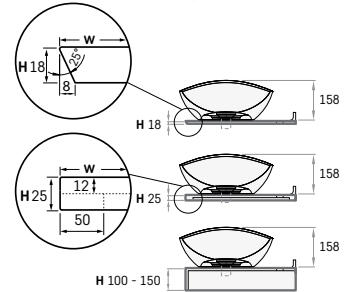
Additional brackets  
(300 mm, if W 354-479 mm)  
(400 mm, if W 480-499 mm)  
(480 mm, if W 500-550 mm)

Sizes of ON-TOP washbasin FELICE

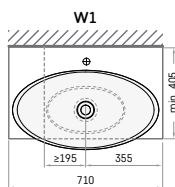
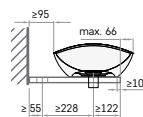
FELICE  
690 × 375 mm



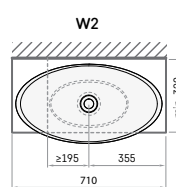
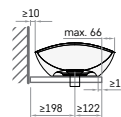
\* At H = 18 mm, the surface is monolithic and only the front edge is inclined



With mixer tap on the surface



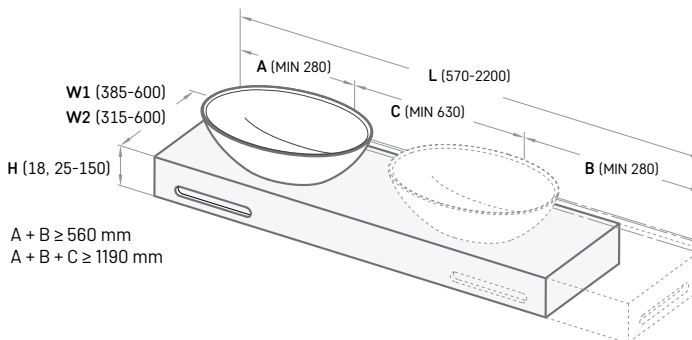
With mixer tap from the wall



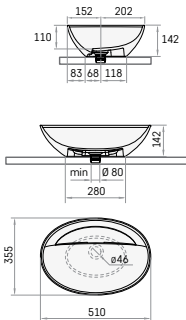
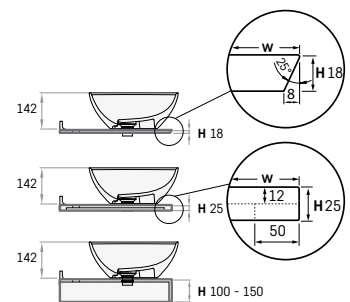
Additional brackets  
(300 mm, if W 354-479 mm)  
(400 mm, if W 480-499 mm)  
(480 mm, if W 500-550 mm)

Sizes of ON-TOP washbasin PERLA

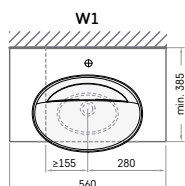
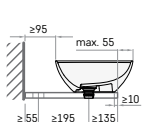
PERLA  
510 × 355 mm



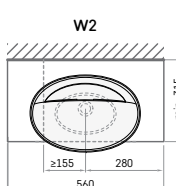
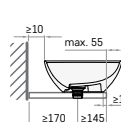
\* At H = 18 mm, the surface is monolithic and only the front edge is inclined



With mixer tap on the surface



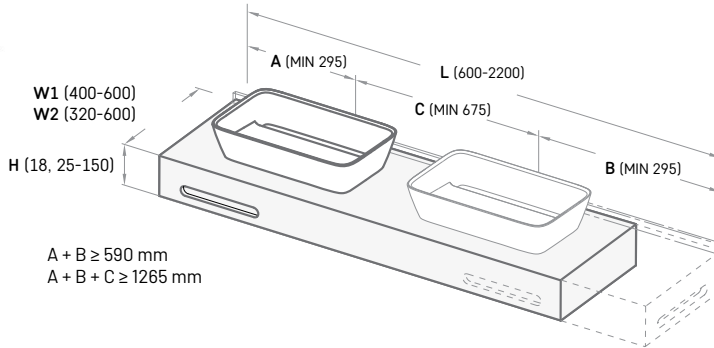
With mixer tap from the wall



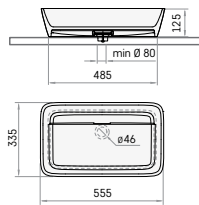
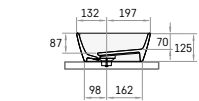
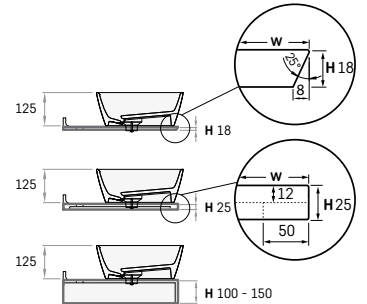
Additional brackets  
(300 mm, if W 354-479 mm)  
(400 mm, if W 480-499 mm)  
(480 mm, if W 500-550 mm)

Sizes of ON-TOP washbasin QUADRO ON

QUADRO ON  
555×355 mm

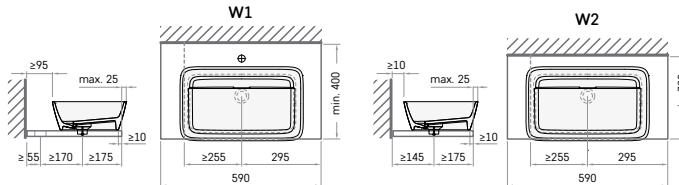


\* At H = 18 mm, the surface is monolithic and only the front edge is inclined



With mixer tap on the surface

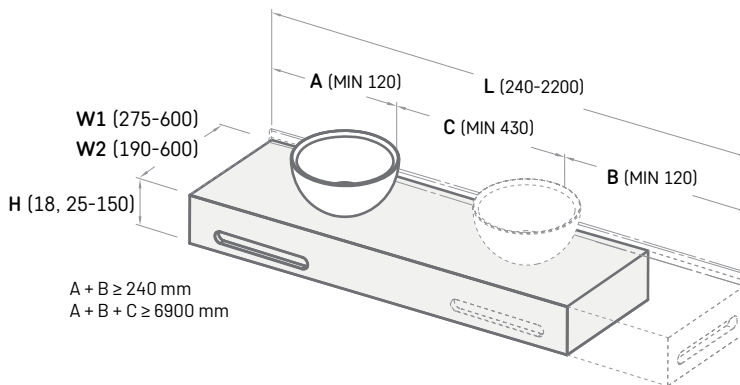
With mixer tap from the wall



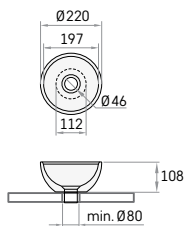
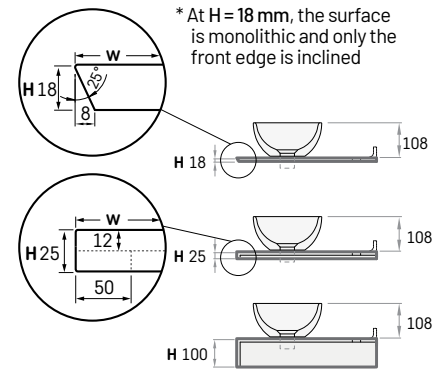
Additional brackets  
(300 mm, if W 354-479 mm)  
(400 mm, if W 480-499 mm)  
(480 mm, if W 500-550 mm)

Sizes of ON-TOP washbasin DO 22

DO 22  
Ø 220 mm

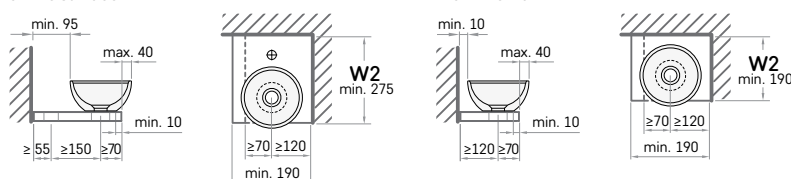


\* At H = 18 mm, the surface is monolithic and only the front edge is inclined



With mixer tap on the surface

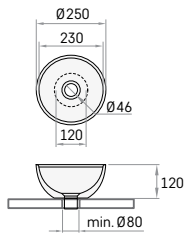
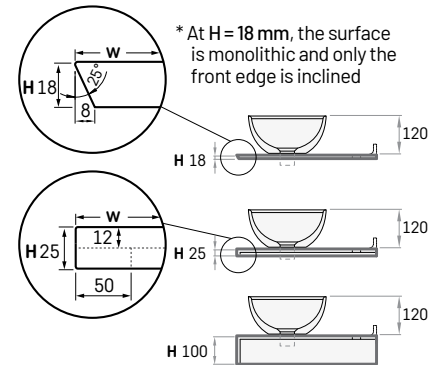
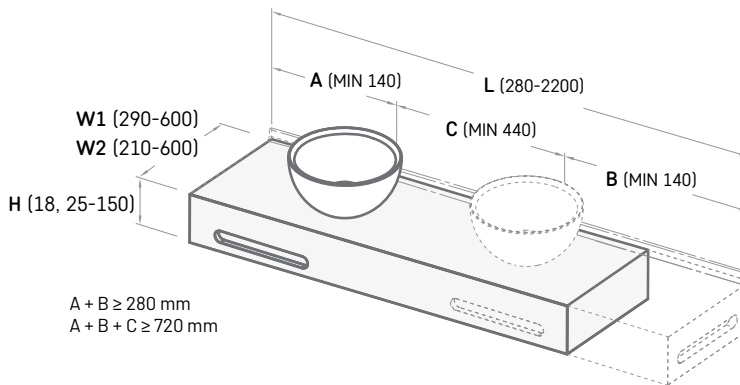
With mixer tap from the wall



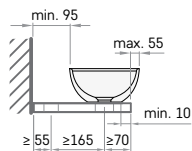
Additional brackets  
(300 mm, if W 354-479 mm)  
(400 mm, if W 480-499 mm)  
(480 mm, if W 500-550 mm)

Sizes of ON-TOP washbasin DO 25

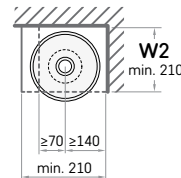
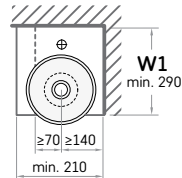
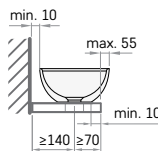
DO 25  
Ø 250 mm



With mixer tap  
on the surface



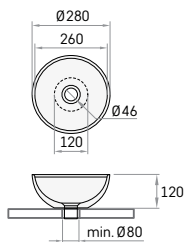
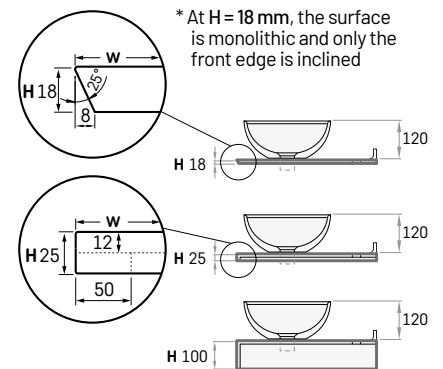
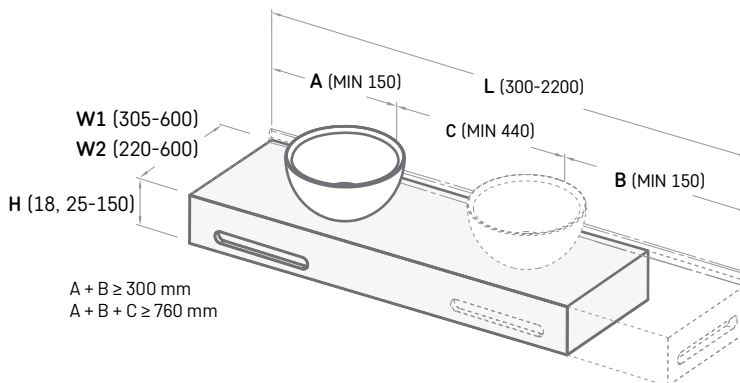
With mixer tap  
from the wall



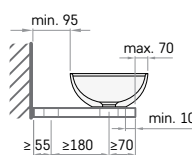
Additional brackets  
(300 mm, if W 354-479 mm)  
(400 mm, if W 480-499 mm)  
(480 mm, if W 500-550 mm)

Sizes of ON-TOP washbasin DO 28

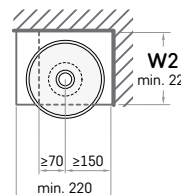
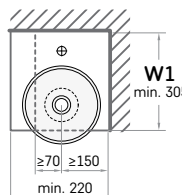
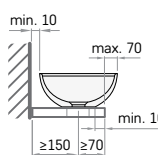
DO 28  
Ø 280 mm



With mixer tap  
on the surface



With mixer tap  
from the wall



Additional brackets  
(300 mm, if W 354-479 mm)  
(400 mm, if W 480-499 mm)  
(480 mm, if W 500-550 mm)

All prices in EUR

# Order form for MADE TO MEASURE surfaces and ON-TOP washbasins on the surface

## 1. Choose your washbasins (mark your choice):

Take into account the requirements of each basin regards the length(L), width(W), and height(H) of countertop!



**AMORE** 600 × 370, h 195 mm  
 W1 = 450 (440-600) mm\*  
 W2 = 400 (355-600) mm\*  
 WS = 228; WF = 155 mm  
 L = 630-2200 mm  
 H = 18, 25-150 mm  
 A + B ≥ 630 mm  
 A + B + C ≥ 1260 mm



**BELLA** 650 × 390, h 160 mm  
 W1 = 450 (435-600) mm\*  
 W2 = 450 (350-600) mm\*  
 WS = 198; WF = 182 mm  
 L = 670-2200 mm  
 H = 18, 25-150 mm  
 A + B ≥ 670 mm  
 A + B + C ≥ 1340 mm



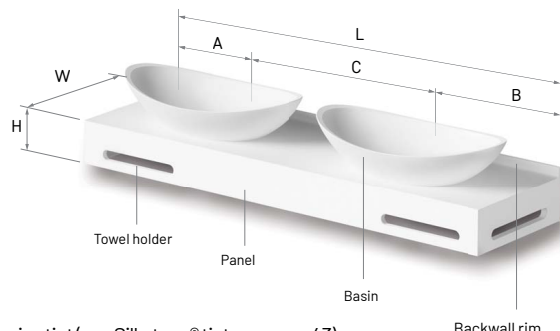
**DECO** d 450, h 122 mm  
 W1 = 500 (497-600) mm\*  
 W2 = 450 (415-600) mm\*  
 WS = 204; WF = 238 mm  
 L = 470-2200 mm  
 H = 18, 25-150 mm  
 A + B ≥ 470 mm  
 A + B + C ≥ 940 mm



**ROUND ON** d 410, h 140 mm  
 W1 = 400 (390-600) mm\*  
 W2 = 350 (305-600) mm\*  
 WS = 245; WF = 90 mm  
 L = 430-2200 mm  
 H = 18, 25-150 mm  
 A + B ≥ 430 mm  
 A + B + C ≥ 860 mm



**FELICE** 690 × 375, h 158 mm  
 W1 = 450 (405-600) mm\*  
 W2 = 350 (320-600) mm\*  
 WS = 228; WF = 122 mm  
 L = 710-2200 mm  
 H = 18, 25-150 mm  
 A + B ≥ 710 mm  
 A + B + C ≥ 1420 mm



Indicate the PAA washbasins tint (see Silkstone® tints on page 43):

MATTE WHITE

TINTED: \_\_\_\_\_

GRAPHITE

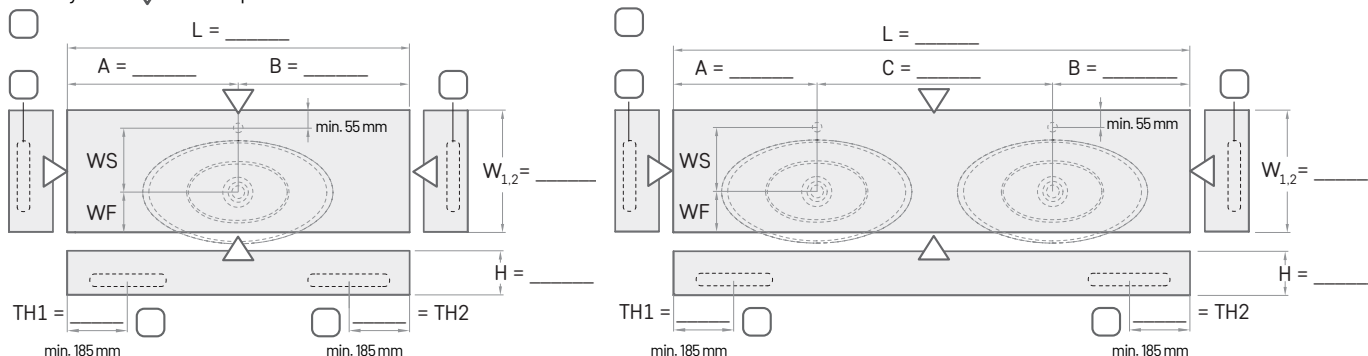
Surface with washbasin of another manufacturer

Surface without washbasin

Tolerated error of the positioning of cut-outs and milling on the surface +/- 5 mm.

\*W1 (mixer tap on the surface), W2 (mixer tap from the wall). Attention! The surface of the drain cover is made from the same material as the washbasin.

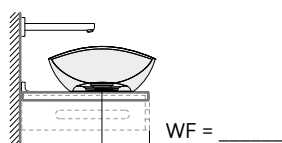
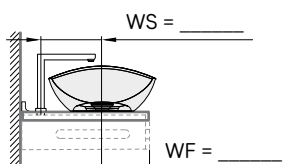
## 2. Mark the number of basins you need / write down the key measures of your countertop / mark if you need towelholder (300 x 35 mm)\*\* / fully mark ▽ to show panel location:



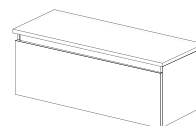
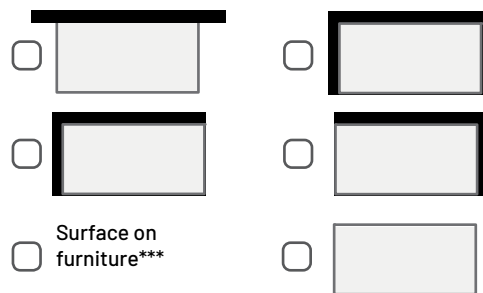
\*\* Towel holder (TH1&TH2) is available only if the height of the panel (H) is at least 100 mm and the possible position is defined by the manufacturer.

## 3. Mark the type of mixer tap placement, indicate the position of the mixer and the washbasin (if WS and WB are not indicated, then the dimensions indicated in the standard drawings are used for the location of the washbasin and mixer tap, cut-outs in the surface are included in the basic set and in the price, if a PAA washbasin is ordered):

MIXER TAP ON COUNTERTOP SURFACE\*\*\*  MIXER TAP FROM WALL (write mixer tap length MIX)



## 4. Mark the surface location in the room:



## 5. Mark if you need backwall rim (h = 30 mm) and wall panel (h = 60-400 mm), backwall rim and wall panel (thickness = 12 mm) and length equal to surface length (L):

backwall rim (h = 30 mm)  wall panel h = \_\_\_\_\_ mm (h = 60 - 400 mm)  NO

## 6. Mark countertop & wall panel colour (Specify a tint name):

MATTE WHITE  TINTED \_\_\_\_\_  GRAPHITE

## 7. Mark if brackets are needed

(see recommended number of brackets below)\*\*\*:

1 pcs.  2 pcs.  NO  
 3 pcs.  4 pcs.  integrated brackets (H ≥ 100 mm), included in the price  
 (L ≥ 1200 mm) (L ≥ 1600 mm)

## 8. Mark if it is necessary: rounding of the corner(s) of the surface (possible only if the edge height is 18 / 25 mm), cutting, milling or drilling:

Rounding\*\*\*  Milling  
 Cutting\*\*\*  Drilling  
 NO

## 9. Special marks:

\*\*\* IMPORTANT! It is required that all the items of the form are filled in and a drawing is included with the order, specifying the position of the basins, the cut-outs for installing the mixer taps, any rounded corners and cuts, as well as any non-standard solutions: i.e. bevelled surfaces, cutouts, unusually narrow surfaces without cut-outs for installing the mixer taps (wall-mounted mixer taps) etc. The integrated brackets are included in the price and are only available if H is greater than 100 mm. The metal mounting brackets must be ordered for an additional fee if the load capacity of the wall is not sufficient or if the H value of the surface is less than 100 mm, not required if the washbasin is placed on furniture.

# Order form for MADE TO MEASURE surfaces and ON-TOP washbasins on the surface

## 1. Choose your washbasins (mark your choice):

Take into account the requirements of each basin regards the length(L), width(W), and height(H) of countertop!



DO 22 d 220, h 108 mm  
W1 = (285-600) mm\*  
W2 = (205-600) mm\*  
WS = 150; WF = 75 mm  
L = 260-2200 mm  
H = 18, 25-150 mm  
A + B ≥ 260 mm  
A + B + C ≥ 690 mm



DO 25 d 250, h 120 mm  
W1 = (305-600) mm\*  
W2 = (225-600) mm\*  
WS = 165; WF = 80 mm  
L = 280-2200 mm  
H = 18, 25-150 mm  
A + B ≥ 280 mm  
A + B + C ≥ 720 mm



DO 28 d 280, h 120 mm  
W1 = (320-600) mm\*  
W2 = (240-600) mm\*  
WS = 180; WF = 80 mm  
L = 320-2200 mm  
H = 18, 25-150 mm  
A + B ≥ 320 mm  
A + B + C ≥ 760 mm



PERLA 510 x 355, h 142 mm  
W1 = (390-600) mm\*  
W2 = (315-600) mm\*  
WS = 195; WF = 135 mm  
L = 560-2200 mm  
H = 18, 25-150 mm  
A + B ≥ 560 mm  
A + B + C ≥ 1190 mm



QUADRO ON 555 x 355, h 125 mm  
W1 = (405-600) mm\*  
W2 = (320-600) mm\*  
WS = 170; WF = 175 mm  
L = 590-2200 mm  
H = 18, 25-150 mm  
A + B ≥ 590 mm  
A + B + C ≥ 1265 mm

Indicate the PAA washbasins tint (see Silkstone® tints on page 43):

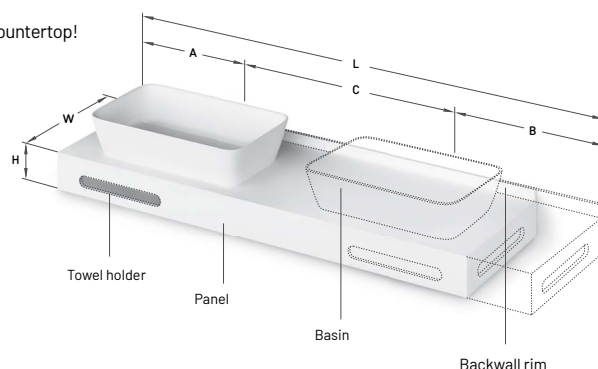
MATTE WHITE

TINTED: \_\_\_\_\_

GRAPHITE

Surface with washbasin of another manufacturer

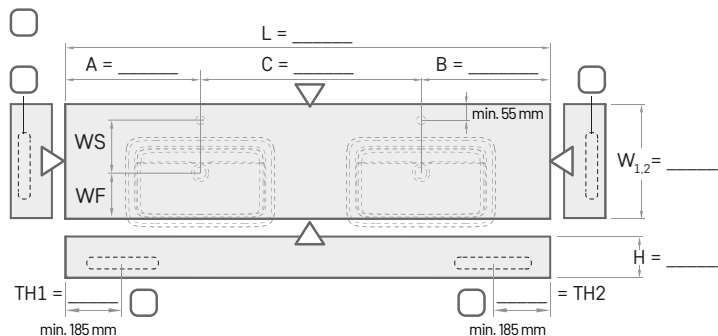
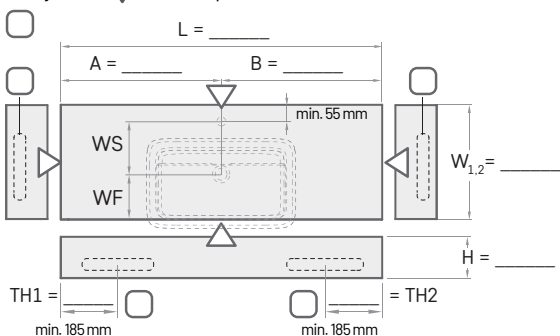
Surface without washbasin



Tolerated error of the positioning of cut-outs and milling on the surface +/- 5 mm.

\*W1 (mixer tap on the surface), W2 (mixer tap from the wall). Attention! The surface of the drain cover is made from the same material as the washbasin.

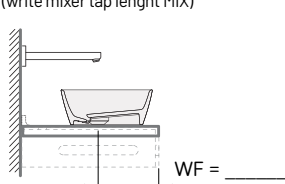
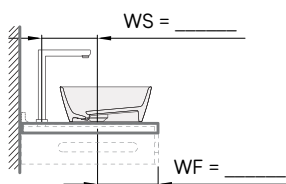
## 2. Mark the number of basins you need / write down the key measures of your countertop / mark if you need towelholder (300 x 35 mm)\*\* / fully mark ▽ to show panel location:



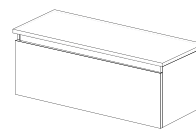
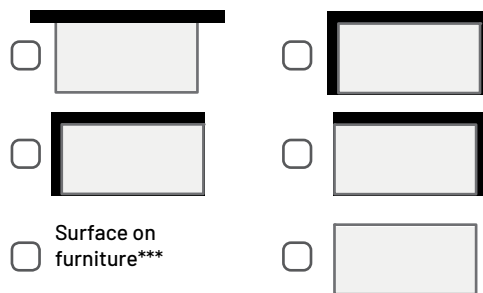
\*\*Towel holder (TH1&TH2) is available only if the height of the panel (H) is at least 100 mm and the possible position is defined by the manufacturer.

## 3. Mark the type of mixer tap placement, indicate the position of the mixer and the washbasin (if WS and WB are not indicated, then the dimensions indicated in the standard drawings are used for the location of the washbasin and mixer tap, cut-outs in the surface are included in the basic set and in the price, if a PAA washbasin is ordered):

MIXER TAP ON COUNTERTOP SURFACE\*\*\*  MIXER TAP FROM WALL (write mixer tap length MIX)



## 4. Mark the surface location in the room:



## 5. Mark if you need backwall rim (h = 30 mm) and wall panel (h = 60-400 mm), backwall rim and wall panel (thickness = 12 mm) and length equal to surface length (L):

backwall rim (h = 30 mm)  wall panel h = \_\_\_\_\_ mm (h = 60 - 400 mm)  NO

## 6. Mark countertop & wall panel colour (Specify a tint name):

MATTE WHITE  TINTED \_\_\_\_\_

## 7. Mark if brackets are needed

(see recommended number of brackets below)\*\*\*:

1 pcs.  2 pcs.  NO  
 3 pcs.  4 pcs.  integrated brackets (H ≥ 100 mm), included in the price

## 8. Mark if it is necessary: rounding of the corner(s) of the surface (possible only if the edge height is 18 / 25 mm), cutting, milling or drilling:

Rounding\*\*\*  Milling  
 Cutting\*\*\*  Drilling  
 NO

## 9. Special marks:

\*\*\* IMPORTANT! It is required that all the items of the form are filled in and a drawing is included with the order, specifying the position of the basins, the cut-outs for installing the mixer taps, any rounded corners and cuts, as well as any non-standard solutions: i.e. bevelled surfaces, cutouts, unusually narrow surfaces without cut-outs for installing the mixer taps (wall-mounted mixer taps) etc. The integrated brackets are included in the price and are only available if H is greater than 100 mm. The metal mounting brackets must be ordered for an additional fee if the load capacity of the wall is not sufficient or if the H value of the surface is less than 100 mm, not required if the washbasin is placed on furniture.

**Price table for CRAFT Made to Measure shower tray**

Material	Width (W), mm	Length (L), mm								
		900-1000	1001-1100	1101-1200	1201-1300	1301-1400	1401-1500	1501-1600	1601-1700	1701-1800
Cast Stone White, h=35 mm	800	685	745	800	855	930	1000	1070	1140	1210
	801-900	760	830	900	970	1045	1115	1185	1255	1325
	901-1000	830	915	1000	1085	1170	1255	-	-	-
Optional:										
Panel, h = 100 mm**		100								
Shower tray in colour***		415								
Siphon TurboFlow, ø 90 mm		65 (Art. NR. 0205302)								
Silkstone®* White, h=35 mm	800	1130	1240	1355	1470	1585	1700	1810	1925	2030
	801-900	1255	1385	1515	1640	1770	1900	2025	2155	2270
	901-990	1415	1555	1700	1840	1985	2125	-	-	-
Optional:										
Panel, h = 110 mm**		175								

\* Siphon with cover in Silkstone® cover included  
 \*\* 90° angle between adjacent sides with panel is required  
 \*\*\* Panel is always the same colour as shower tray

Adjustable legs, irregular angles, and cut-outs on sides are included in price. Tolerated error of dimensions for CRAFT Made to Measure shower tray is ±3 mm. Order form for CRAFT Made to Measure shower tray (see p. 39) has to be filled out, when placing an order.

Cast Stone shower tray siphon (optional)

Silkstone® shower tray siphon (included)



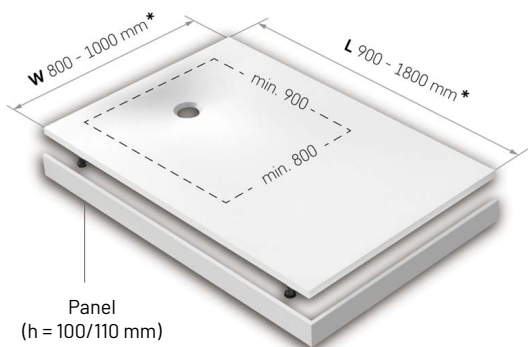
Siphon TurboFlow ø 90 mm



Siphon Viega Tempoplex Plus ø 90 mm\*

**CRAFT Made to Measure shower tray**

900-1800 x 800-1000 mm\*  
 h = 35 / h = 135 mm (with panel)



Shower tray surface cut-out examples:



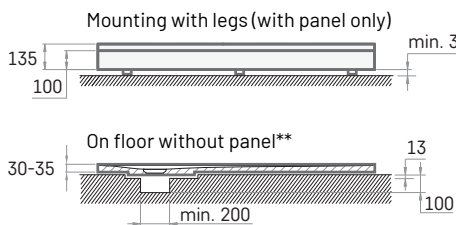
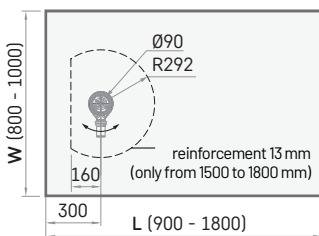
If the shower tray has narrow or wide angles between the edges, the dimensions W and L for the price table are determined according to the principle shown in the illustration

**Additional information to consider when ordering a CRAFT shower tray**

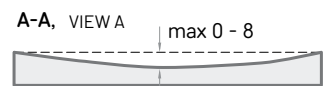
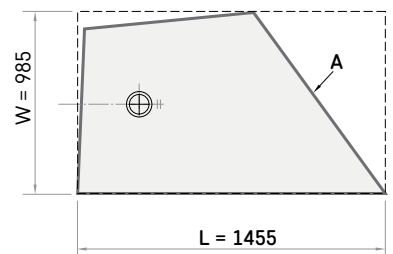
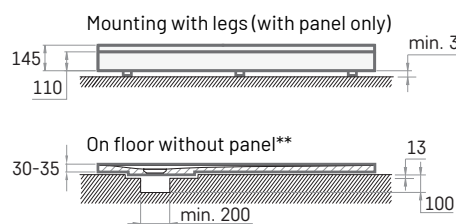
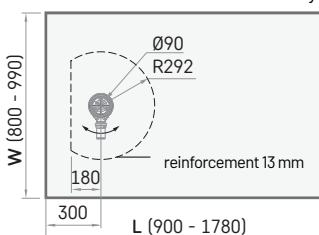
1. To ensure extra strength, all CRAFT shower trays are made with an additional layer of reinforcement. This means that if the shower tray is to be placed on a surface without legs, the surface must be prepared with an additional recess.

2. Taking into account the specifics of CRAFT shower tray production, due to the drop in shape, the edges of the shower tray may be offset from a straight plane.

Dimensions for Cast stone shower trays:



Dimensions for Silkstone® shower trays:



\*\* 3 mm thick polypropylene must be laid between the shower tray and the surface

# ORDER FORM FOR CRAFT MADE TO MEASURE SHOWER TRAY

1. Mark your choice of material:

- Cast Stone     Silkstone®

2. Mark your choice of colour:

- White     in colour\*, (write the name): \_\_\_\_\_

\* Only the cast stone shower tray can be colored

3. Draw your shower tray:

- a) read suggestions on how to measure (top right corner);
- b) measure the place, where your shower tray will lay;
- c) draw perimeter of your shower tray in the grid:
  - the perimeter of shower tray has to fit within the perimeter of grid,
  - scaling of one grid box is 50 x 50 mm,
  - show measurements for all sides of your shower tray in the form of projections of these sides on the perimeter of grid below (see example to the right)

4. Mark the edges of the shower tray that will fit against the wall

5. Mark sides where panel is needed

6. Mark the mounting type of the shower tray:

- Assembly with legs     Assembly without legs

7. Mark the shape of the shower tray:

- Rectangle (angles do not need to be indicated in the drawing)  
 Irregular

8. Special remarks:

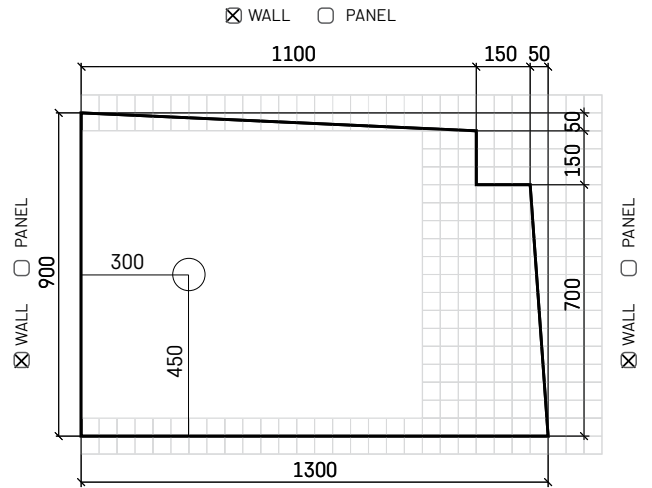
## How to measure

1. All measurements have to be made:

- in millimeters
- for the height in which shower tray will be installed
- to walls with done finishing, e.g., walls with tiles

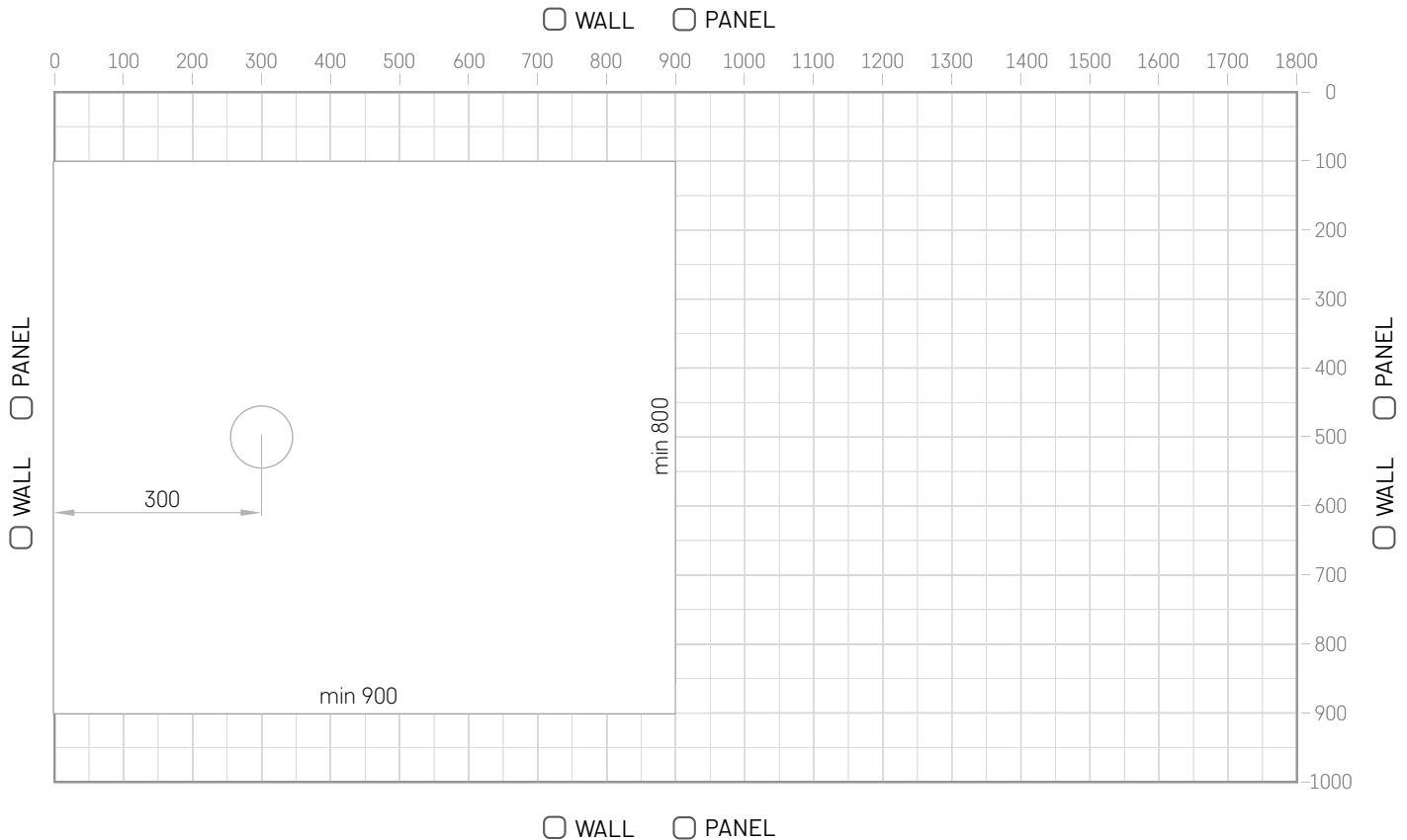
2. Make sure the walls are straight, to avoid unexpected gaps between the wall and shower tray

## Example of shower tray drawing:



The dimensions of the drawing are:  DIMENSIONS FOR THE WALL  
 DIMENSIONS FOR THE SHOWER TRAY

If the shower tray is to be placed in a niche, the tray length and width dimensions of the gauge must be reduced by 3 mm.



## SUGGESTIONS ON HOW TO PREPARE THE DRAWING OF A DECO SHAPE BATH

Each DECO SHAPE bath is one of a kind - made to the measures and drawing provided by client

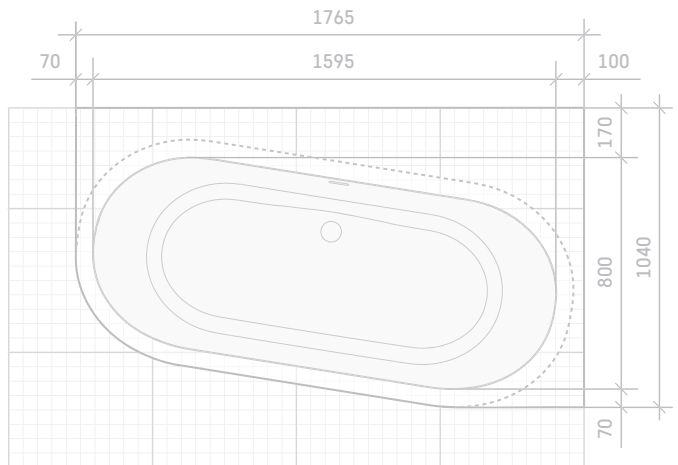
### How to measure

- All measurements have to be made:
  - in millimeters;
  - for the height of bath surface;
  - to walls with done finishing, e.g., walls with tiles.
- Make sure the walls are straight, to avoid unexpected gaps between the wall and bath

### How to draw your bath


- Explore the illustration *Example of a bath drawing*
- Choose one side of grid in the drawing *Maximum size of a bath's surface* to represent a side of your bath that is next to the wall, then draw other walls that will border your bath
- Cut out (alongside dashed line) bath from the illustration *Minimum size of a bath* and see where it fits in your drawing, glue it once there is a perfect fit
- Draw the outer border(s) of your bath  
IMPORTANT! Mark the place for mixer tap and make sure that water supply is feasible there. The same goes for draining of water
- Show measures for all elements of your bath in the same manner, as in illustration *Example of a bath drawing*

### Example of a bath drawing



6. Indicate the location of the mixer tap cut-outs and their diameters in the drawing

7. Indicate the surface tint: \_\_\_\_\_

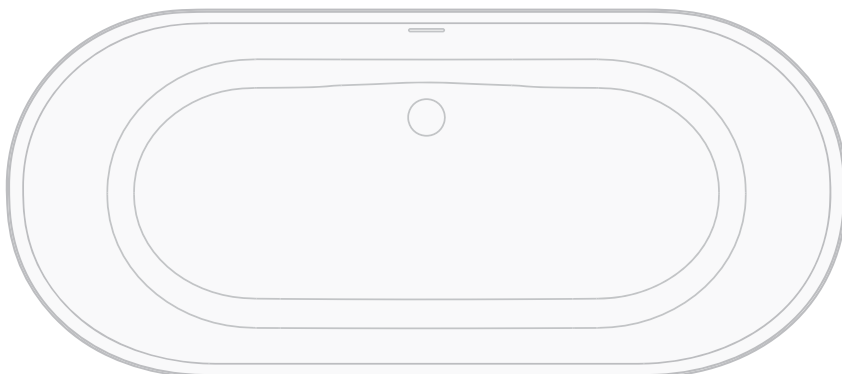
 = 50x50 mm

### Maximum size of a bath's surface

2500x1250 mm; 1 box = 50x50 mm



### Minimum size of a bath 1660x750 mm

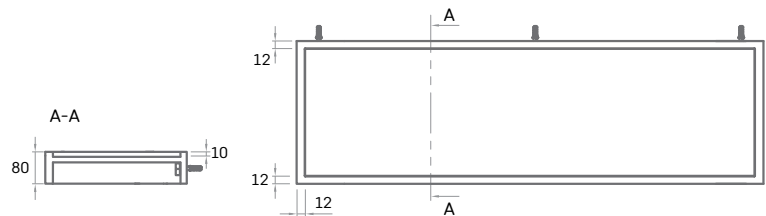
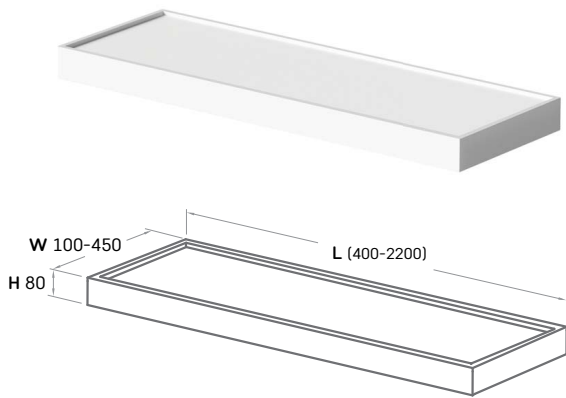


Made to Measure shelves

400-2200 × 100-450 mm, h= 80 mm

Surface width (W), mm	TINT	Length of surface (L), mm					Non-standard sizes & shapes
		400-600	601-1000	1001-1400	1401-1800	1801-2200	
W = 100-350	Matte White	430	570	715	855	1000	Upon request
	tinted	515	685	855	1030	1200	
	GRAPHITE	600	800	1000	1200	1400	
W = 351-450	Matte White	500	670	845	1015	1185	Upon request
	tinted	600	800	1000	1200	1400	
	GRAPHITE	685	915	1140	1370	1600	

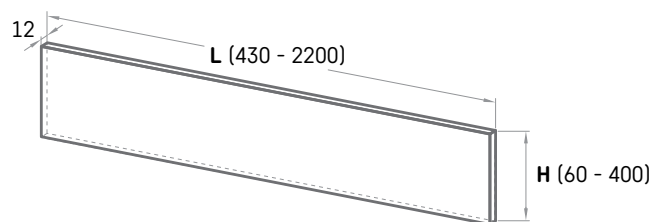
Shelf is available: Matte White and tinted, see Silkstone® tints on page 43.  
Indicate the shelf length and tint in the order notes.  
Wall mountings - integrated



Made to Measure wall panels

H 60-400 × L 430-2200 mm

Panel height (H), mm	TINT	Panel length (L), mm								Non-standard sizes & shapes
		430-800	801-1000	1001-1200	1201-1400	1401-1600	1601-1800	1801-2000	2001-2200	
W = 60-200	Matte White	130	160	190	215	245	275	330	360	Upon request
	tinted	160	190	215	260	300	330	385	430	
	GRAPHITE	175	215	260	300	345	385	430	485	
W = 201-400	Matte White	260	315	375	430	485	545	600	660	Upon request
	tinted	300	360	430	500	570	645	715	785	
	GRAPHITE	360	430	500	585	670	760	845	930	



## How to compose articles for orders of PAA products

### Example of TRE 170 bath

Chosen options: Right side bath; Front panel, high; colour GLOSSY SILVER

#### 1. Choosing appropriate articles:

- VATREGR/D/xx – right side bath (replace xx with colour code and write the name of colour in brackets after the article)
- PATREGRA/D/xx – panel for right side bath (the same actions, as for the bath)

#### 2. Completing articles for the order:

VATREGR/D/01(GLOSSY SILVER) + PATREGRA/D/01(GLOSSY SILVER)

### Example of VARIO L AD bath

Chosen options: length 1660 mm; drain-overflow in metal, chrome colour; 2 rounded corners (A, D); colour: inside Glossy Alpine White, outside GLOSSY Grey (bath in two colours)

#### 1. Choosing appropriate articles:

- VAVARLAD/xx – bath (replace xx with colour code and write the name of colour in brackets after the article)
- SIFVVARM/H – drain-overflow in metal, chrome colour

#### 2. Completing articles for the order:

VAVARLAD/01(GLOSSY GREY / GLOSSY ALPINE WHITE)+SIFVVARM/H

### Explanation of symbols that are used in product articles after slash "/"

Cast Stone products

xx – to be replaced by the choice of colour:  
00 – Glossy Alpine White  
01 – indicates colour other than white

Silkstone® and GRAPHITE products

xx – to be replaced by the choice of colour:  
00 – Matte White  
01 – GRAPHITE  
02 – tinted Silkstone®(for Made to Measure products see page 43.)  
03 – Matte Grey  
04 – Matte Caffelatte  
05 – Matte Oyster

A – Left side

D – Right side

Attention! when creating an article, in the order notes, mark whether a mono or duo tone bathtub is required (see example)

## COLOUR CARD OF CAST STONE PRODUCTS

Product type	Product name	GLOSSY ALPINE WHITE (white)	COLOUR PALETES						
			SELECTION		GRANITE		RAL****		
			MONO*	DUO**	MONO	DUO	MONO	DUO	
Bathtubs	AMORE	+	+					+	
	DECO NUDO	+	+	+				+	+
	BELLA, BELLA OVO	+	+	+				+	+
	DUNA	+	+	+				+	+
	BEL CANTO	+	+	+				+	+
	STEP	+	+	+	+	+		+	+
	VICTORIA (except GLOSSY BLACK)	+	+					+	+
	QUADRO, QUADRO WALL / CORNER	+	+	+				+	+
	STORIA	+	+	+				+	+
	PERLA 145, PERLA 160, PERLA 175	+	+	+				+	+
	SMART 150 / 160 / 170 / 180	+	+	+					+
	VERSO, VARIO M / L / XL	+	+	+	+	+		+	+
UNO 150 / UNO 170 / TRE 150 / TRE 170	+	+	+				+	+	
Washbasins	AMORE	+	+					+	
	DECO	+	+	+				+	+
	BELLA	+	+	+				+	+
	PERLA	+	+					+	+
	ROUND ON	+	+	+				+	+
	QUADRO / QUADRO ON	+						+	
	DO22, DO 25, DO 28	+	+					+	
	ROUND IN, OVO IN	+	+		+			+	+
	LONG STEP collection	+	+		+			+	
	LOTO MINI / LOTO collection	+	+					+	
	SAMBA 55/ SAMBA 70	+	+		+			+	
	STEP MINI / STEP	+	+		+			+	
VARIO	+	+	+		+		+	+	
CLARO collection***	+	+		+			+		
Shower trays	CLASSIC	+							
	ART	+	+		+			+	
	LARGO	+	+		+			+	
	LETTERA		TEXTURED ALPINE WHITE	TEXTURED: FOG, CLAY GREY, SMOKE					
	CRAFT	+	+					+	

**SELECTION color palette:** GLOSSY GREY / GLOSSY FOG / GLOSSY SMOKE/ GLOSSY BLACK/ GLOSSY CLAY

Attention! The GLOSSY BLACK tint is not available for the Victoria bathtub, shower trays, and all washbasins (except Bella and Perla washbasins)!

**PAA GRANITE color palette:** GLOSSY SILVER, GLOSSY GALAXY, GLOSSY CASHMERE

\* MONO - bath in one color; \*\* DUO - bath in two colours, the inside is always GLOSSY ALPINE WHITE, but the outside - in the chosen colour;

\*\*\* Claro collection - soap tray for white washbasin - in the chosen colour.

\*\*\*\* Individual tints, colours and their combinations are possible only upon agreement with the manufacturer and are not available in all cases.

## TINT CARD OF SILKSTONE® PRODUCTS

Product type	Product name	TINT			
		Matte White	GRAPHITE	Matte Caffelatte Matte Grey Matte Oyster	Matte Shadow Matte Desert Matte Night Matte Cemento
Made to Measure concept products	Made to Measure washbasin surface*	+		+	+
	Made to Measure ON TOP washbasin surface	+		+	+
	CRAFT shower trays	+			
	DECO SHAPE bath (tinted surface only)	+			+
	DECO SHAPE RE bath (tinted surface only)	+			+
	DECO SHAPE RE A/D bath (tinted surface only)	+			+
	FLOW	+			
	Made to Measure Silkstone shelves	+	+	+	+
	Made to Measure wall panels	+	+	+	+
Bathtubs	BELLA, BELLA OVO	+	+	+	
	DUNA	+	+	+	
	FELICE	+	+	+	
	QUADRO	+	+	+	
	INFINITY	+		+	
	AMORE	+	+	+	
	DOLCE	+	+		
	PERLA 145, PERLA 160, PERLA 175	+	+	+	
	DECO NUDO, DECO RIM	+	+	+	
	VICTORIA (legs also GRAPHITE)	+			
	DECO WALL	+	+	+	
	DECO CORNER (only the surface of a bathtub is tinted)	+		+	
Washbasins	BELLA	+	+	+	
	FELICE	+	+	+	
	INFINITY 80, INFINITY 60	+		+	
	AMORE	+	+	+	
	QUADRO	+	+	+	
	ROUND ON	+	+	+	
	PERLA	+	+	+	
	DECO	+	+	+	
	OVO IN	+	+	+	
	ROUND IN	+	+	+	
	OPUS IN	+	+	+	
	DO 22, DO 25, DO 28	+	+	+	
	DO 22 washbasin shelf	+		+	
	RE, MI	+			

\*The tinted basin is available only in Matte Caffelatte, Matte Grey, Matte Oyster colours.

**Attention!** Granite palette colors (Matte Shadow, Matte Desert, Matte Night, Matte Cemento) are available for the countertop only.

## PAA EXTENDED WARRANTY TERMS

SIA "PAA" (PAA) has been producing baths, washbasins and shower trays since 1993. The PAA factory is located in Latvia, the European Union. The products are produced from high-quality materials and comply with EU norms. Properly cared for, they will last for decades, which is why PAA offers a warranty of ten years.



### Warranty conditions:

1. PAA guarantees that its products – baths, shower trays and washbasins (Products) – will remain fully functional and will not alter their shape or colour, produce surface peeling, cracks or blisters (Defects):
  - a. for ten years from the date of purchase, regardless of the date of installation, if the Product is used in domestic conditions;
  - b. for two years from the date of purchase, if the Product is used in commercial or public facilities (for example, restaurants, offices, educational institutions, hotels, residences or sports centres, etc.).
2. PAA grants:
  - a. a four-year warranty for the components of the massage system, if the bathtub with a massage system has been installed by an authorised representative of the PAA;
  - b. a two-year warranty for massage system components, overflow drains, panels, fittings, wooden parts and other accessories.
3. All PAA Products feature the CE marking and comply with EU safety, health and environmental protection requirements.
4. If a Defect is discovered in the Product under the terms and conditions of this warranty, the Product will be repaired or replaced after due inspection. The replacement Product will have the same characteristics (material, dimensions, colour, etc.) as the original Product, unless this is not possible due to the discontinuation of production, in which case PAA will replace it with a Product with similar characteristics.
5. The PAA warranty is void:
  - a. if the Product has been damaged by third parties or the Owner during transportation, installation, maintenance or repair (except for in cases where installation, maintenance or repair was performed by a person authorised by PAA);
  - b. if the Product has been intentionally or unintentionally damaged by the Owner as a result of improper storage or use of the Product (e.g., exposure to the environment; exposure to excessive UV radiation; thermal shock when filling a cold bath with water hotter than 60 degrees Celsius; exposure to chemical and mechanical damage, etc.);
  - c. if the Product has been arbitrarily modified in any way;
  - d. if the Owner has failed to comply with the installation and operating instructions;
  - e. if Defects have been caused by external factors beyond the control of PAA (e.g., mains failure; poor water quality; thermostatic valve malfunction; lightning; fire; flood, etc.).
6. The PAA warranty does not apply to:
  - a. Natural wear and tear of the product (e.g., surface wear, scratches, dents, discolouration due to the sun's UV radiation, wear of seals and bathtub pads, etc.);
  - b. slight changes to the surface of the Product which are characteristic of the appearance of natural stone and do not affect its structural integrity;
  - c. unevenness on the underside of the Product that is not visible and does not affect its use.
7. PAA recommends leaving the installation of the Products to an authorised representative of PAA or another professional plumbing service.
8. PAA reserves the right to make minor changes to the appearance and design of the Product. The permissible length and width tolerances are +/-5 mm for dimensions up to 1 m and +/-10 mm for dimensions above 1 m.
9. When making a warranty claim to PAA, the buyer must present a valid proof of purchase and/or a PAA warranty card.
10. All transportation and installation costs associated with the replacement of the Product under this warranty shall be borne by the Owner.
11. By purchasing the Product, the Owner agrees that PAA shall not be liable for damages exceeding the amount specified in the original Product invoice and/or delivery note and/or receipt. PAA shall not be liable for damages not covered by this warranty:
  - a. including, but not limited to, liability for a product not fit for use, lost profits, lost business, inconvenience or moral damages to the owner;
  - b. indirect and consequential damages or penalties from third parties related to damage of the Product.

# CAST STONE

A reliable, solid and stable material with a classically shiny surface. Each product is made of a 14-20 mm cast stone base layer covered with a 1-1.5 mm thick, particularly hard and shiny polyester enamel (gelcoat).

The base layer of the cast stone consists of 80% ground marble, which is vacuum-mixed with synthetic resin and, to promote heat resistance, air-filled micro-spheres are added to it.



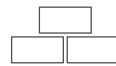
Easy care



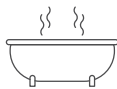
As hard and durable as a stone



Resistant to stains



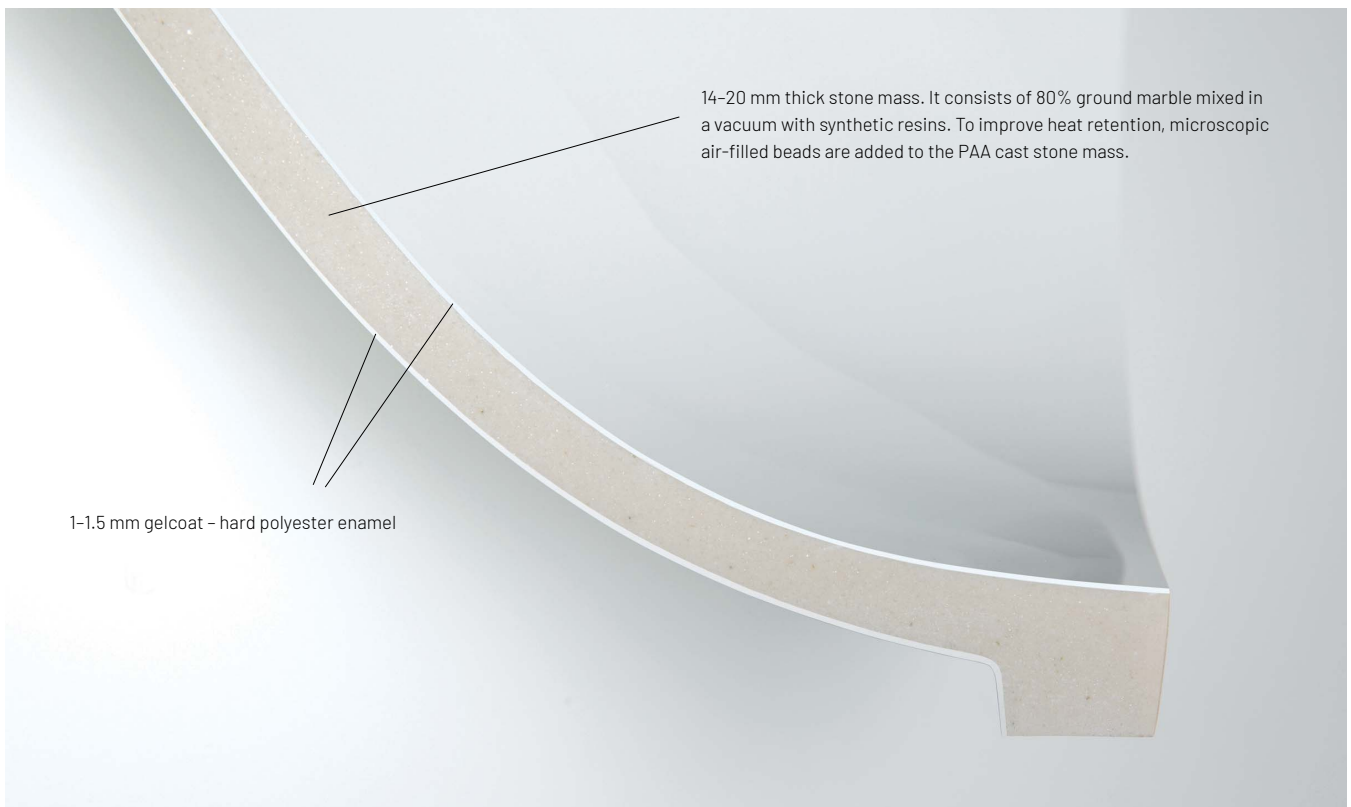
Heavy and stable



Accumulates and keeps warmth



Wide range of colors



## CAST STONE CARE

To clean the bathtub, use a soft cloth and liquid for cleaning sanitary ware, for example, Cillit or Ajax.

To avoid scratching the surface, do not use abrasive, strongly acidic and strongly alkaline detergents.

Avoid long-term contact with the surface with strong dyes, for example, hair dye, as well as products containing acetone.

# SilkSTONE®

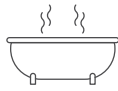
Made from natural rock (bauxite) vacuum mixed with synthetic resin. Monolithic, homogeneous material throughout the thickness of the product (12-30 mm).

Tinted bathtubs, washbasins and shower trays are made by adding pigment to the material, without coating. The surface of each product is hand-finished. Silkstone is used for visually and geometrically flawless washbasins, bathtubs, table-tops, furniture fronts, floor and wall paneling, baseboards and other interior design elements.

It is perfect for intensively used premises, such as restaurants, hotels, shopping centers, schools, office buildings and manufacturing facilities. It is safe and easy to use and maintain.



Easy care



Accumulates and keeps warmth



Silky and warm matt texture



Resistant to stains



Easy to repair and renew surface



As hard and durable as a stone



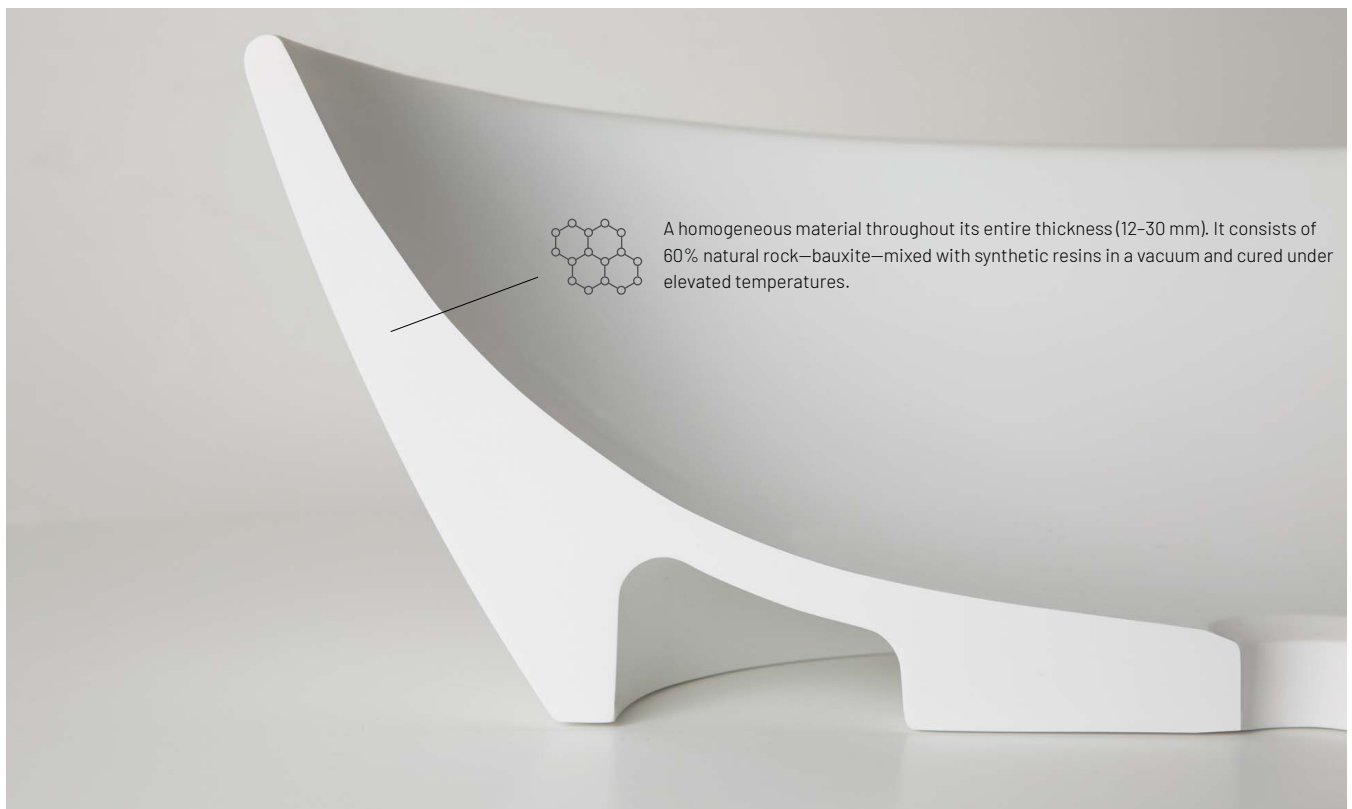
Self-extinguishing



Easy to cut to the required size



Easy cleaning with abrasives



A homogeneous material throughout its entire thickness (12-30 mm). It consists of 60% natural rock—bauxite—mixed with synthetic resins in a vacuum and cured under elevated temperatures.

## SilkSTONE® CARE

Daily cleaning is done by wiping the surfaces with a moist Scotch-Brite™ or similar cloth and a regular mild detergent. If the surface to be cleaned is matte, an abrasive detergent may also be used when necessary. The most common stains are easily removed by wiping. Ingrained stains may be removed with bleach, which is allowed to touch the surface for a maximum of five minutes. After this, the surface is cleaned with a regular detergent and rinsed with water.

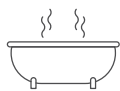
Strong acids, such as detergents containing chloromethane or acetone, should be avoided in the daily cleaning of Silkstone surface. If the material comes into contact with acids, the surfaces must be rinsed quickly with a regular detergent and water to prevent changes in colour. Sharp items may cause minor cuts and scrapes. Slight marks are easily polished off, but the repair of deeper cuts requires professional service. Warranty does not apply to any damages caused by improper use.

# GRAPHITE

Monolithic, homogeneous material throughout the thickness of the product (12-30 mm).

Graphite bathtubs, washbasins and shower trays are made by adding pigment to the Silkstone material, without coating.

The surface of each product is individually created with sandblasting and hand-finished.



Accumulates and keeps warmth



As hard and durable as a stone



Solid and stable



UV-resistant



A homogeneous material throughout its entire thickness (12-30 mm). It consists of 60% natural rock—bauxite—mixed with synthetic resins in a vacuum and cured at elevated temperatures.

## GRAPHITE CARE

To maintain the flawless appearance of GRAPHITE products for a long time, they must be re-oiled. The surface should be treated if it has lost its original appearance, has become grayish, is not shiny, or sediment stains have appeared.

Clean the product from toothpaste, soap residue, and other dirt with a non-abrasive plumbing cleaner and the non-abrasive side of a surface cleaning sponge or brush.

If necessary, also unscrew the decorative cover of the siphon and treat the surface underneath. Allow the surface to dry thoroughly. Put a little oil on the soft part of the household surface cleaning sponge. Apply it to the GRAPHITE surface in circular motions, allowing the oil to penetrate even the deepest points of the surface. After about 5 minutes, gently wipe the surface with a cotton cloth, without rubbing, to remove excess oil.

For maximum effect, leave the GRAPHITE bathtub or sink for 24 hours after treatment, preventing contact with dust or water, thus allowing the surface to mineralize. If the oiling effect seems insufficient, it can be repeated.

