

Ovo In

TECHNICAL INFORMATION

Size: 550 x 372 mm, h = 170 mm

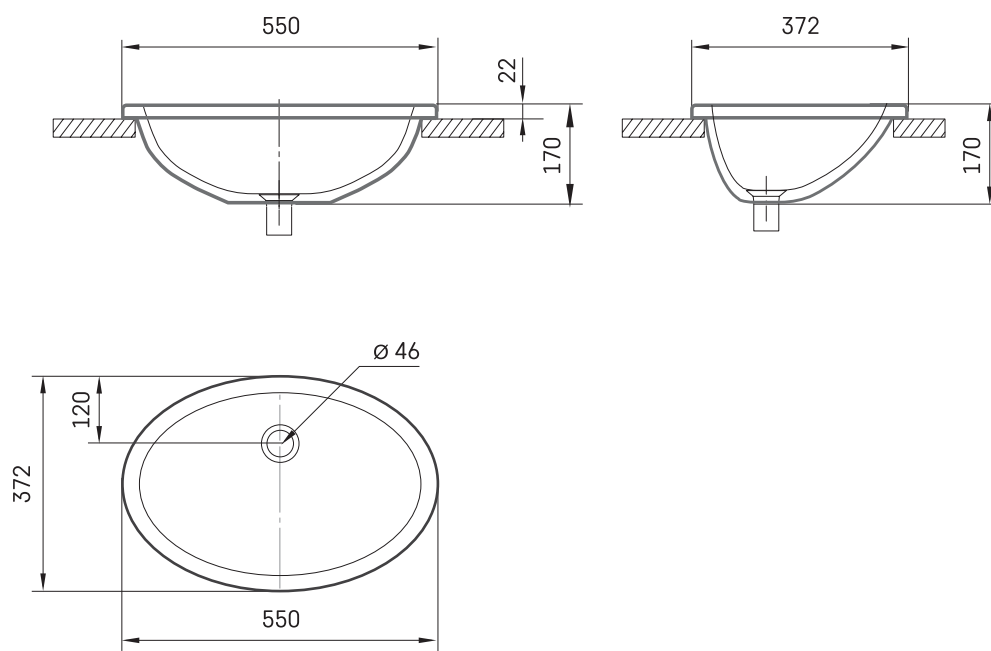
Weight: 7 kg

Optional:

Permanent open drain with Silkstone® cover:
DEIZSNOP/00



TECHNICAL DRAWINGS



View product:

