

# OVO MTM CS

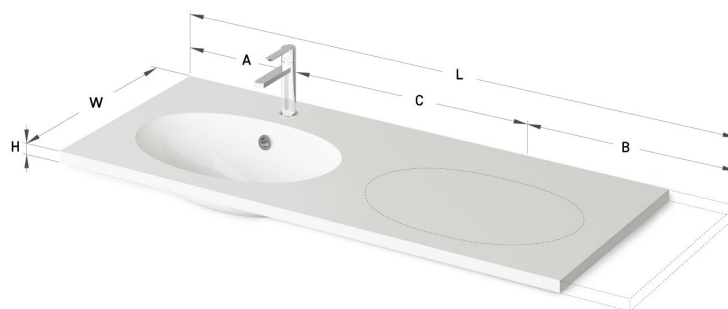
## TECHNICAL INFORMATION

Size: 650 x 420-550 mm, h = 25 mm

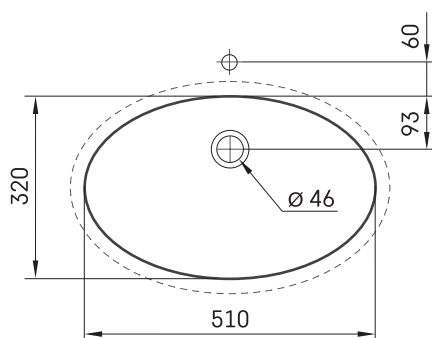
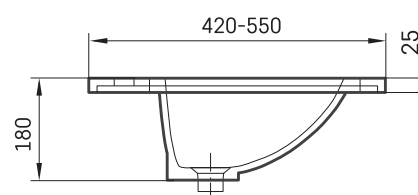
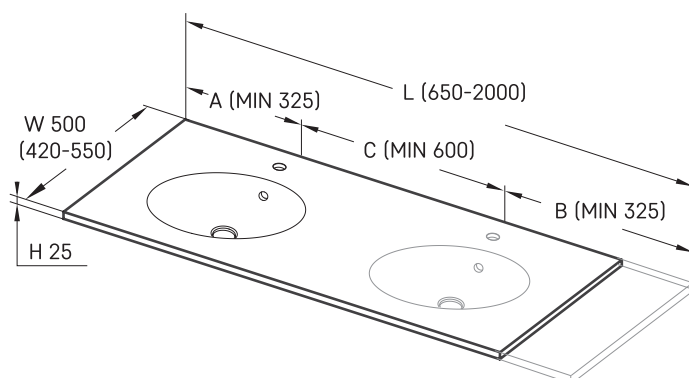
### Optional:

Brackets 400 mm: IZKSS400GB1/00

Brackets 480 mm: IZKSS480GB1/00



## TECHNICAL DRAWINGS



View product:





Ūnijas iela 12a,  
Rīga, Latvija

View product:

