

# Organic In

## TECHNICAL INFORMATION

Size: 690 x 480 mm, h = 185 mm

Weight: 9 kg

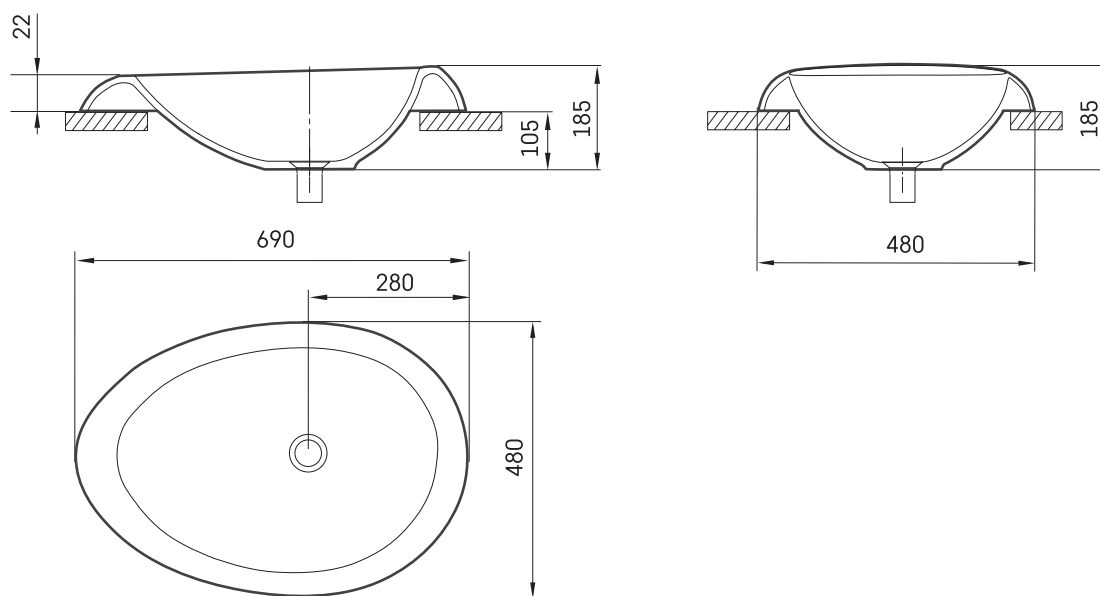
### Optional:

Permanent open drain in metal, chrome colour cover:  
L2264

Permanent open drain with Cast Stone cover:  
DKIZPBNOP/xx



## TECHNICAL DRAWINGS



View product:

