

Loto 80

TECHNICAL INFORMATION

Size: 800 x 490 mm, h = 18 mm

Weight: 14 kg

Optional:

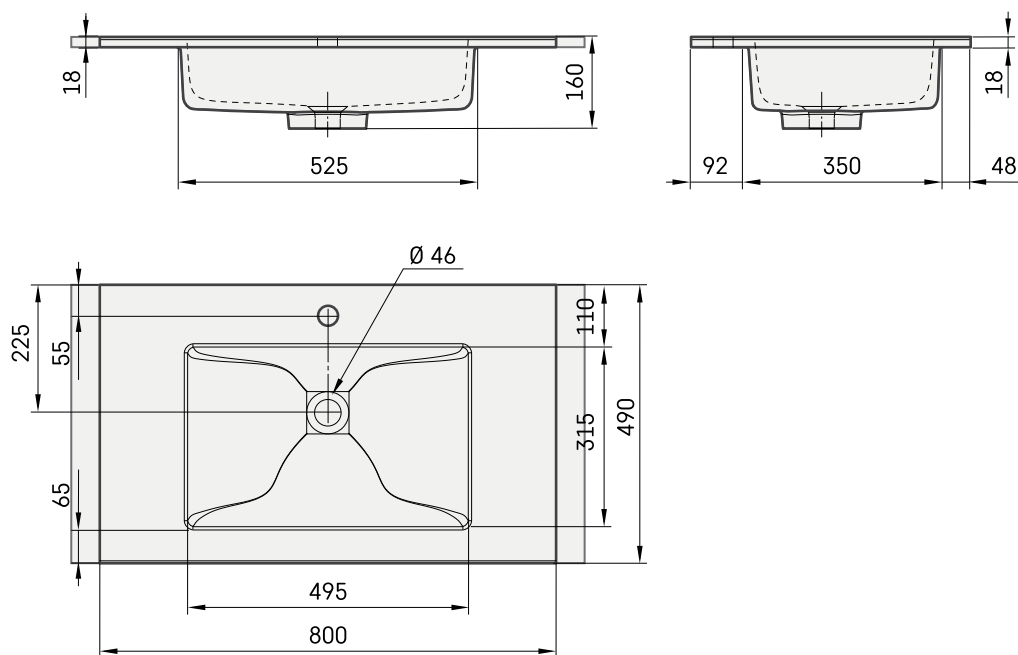
Brackets 400 mm: IZKSS400GB1/00

Permanent open drain in metal, chrome colour cover:
L2264

Permanent open drain with Cast Stone cover:
DKIZPBNOP/xx



TECHNICAL DRAWINGS



View product:

