

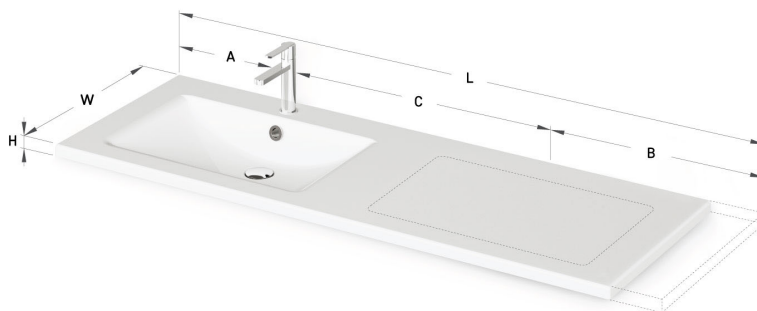
Long Step MTM CS

TECHNICAL INFORMATION

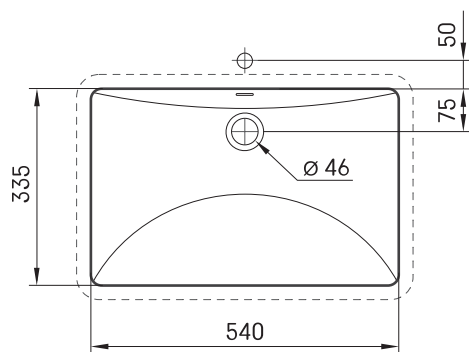
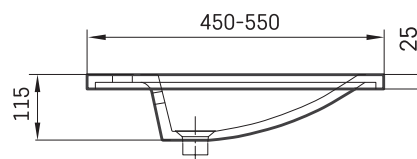
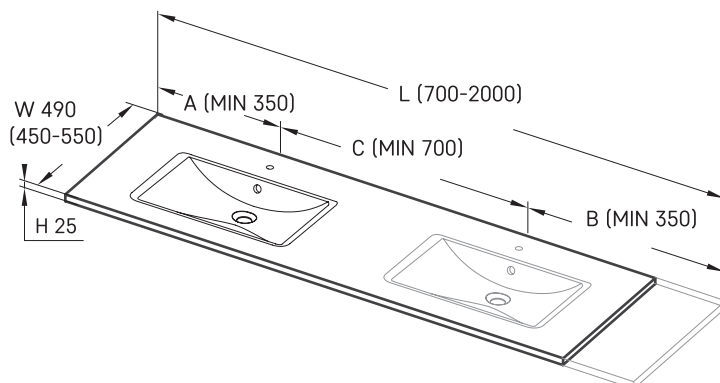
Size: 700 x 450-550 mm, h = 25 mm

Optional:

Brackets 400 mm: IZKSS400GB1/00



TECHNICAL DRAWINGS



View product:





Ūnijas iela 12a,
Rīga, Latvija

View product:

