

Delta 90/D

TECHNICAL INFORMATION

Size: 900 x 460 mm, h = 180 mm

Weight: 19 kg

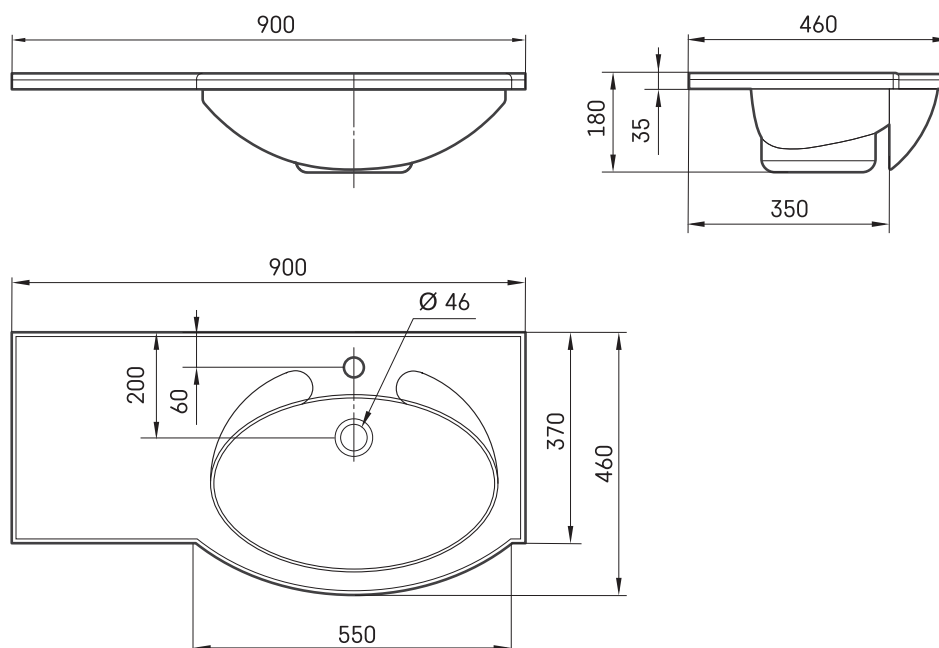
Optional:

Brackets, 2 pcs., white or satin colour: IZKL/xx

Brackets, 2 pcs., stainless steel: IZKL/NT



TECHNICAL DRAWINGS



View product:

