

# Delta 90/A

## TECHNICAL INFORMATION

Size: 900 x 460 mm, h = 180 mm

Weight: 19 kg

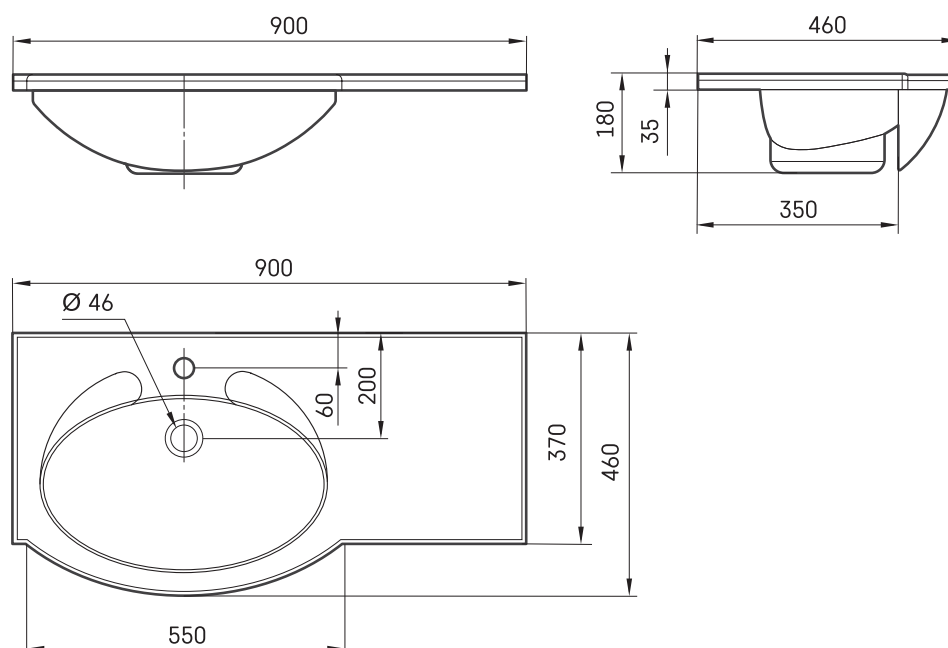
### Optional:

Brackets, 2 pcs., white or satin colour: IZKL/xx

Brackets, 2 pcs., stainless steel: IZKL/NT



## TECHNICAL DRAWINGS



View product:

