

# Beta Duo

## TECHNICAL INFORMATION

Size: 1620 x 540 mm, h = 170 mm

Weight: 52 kg

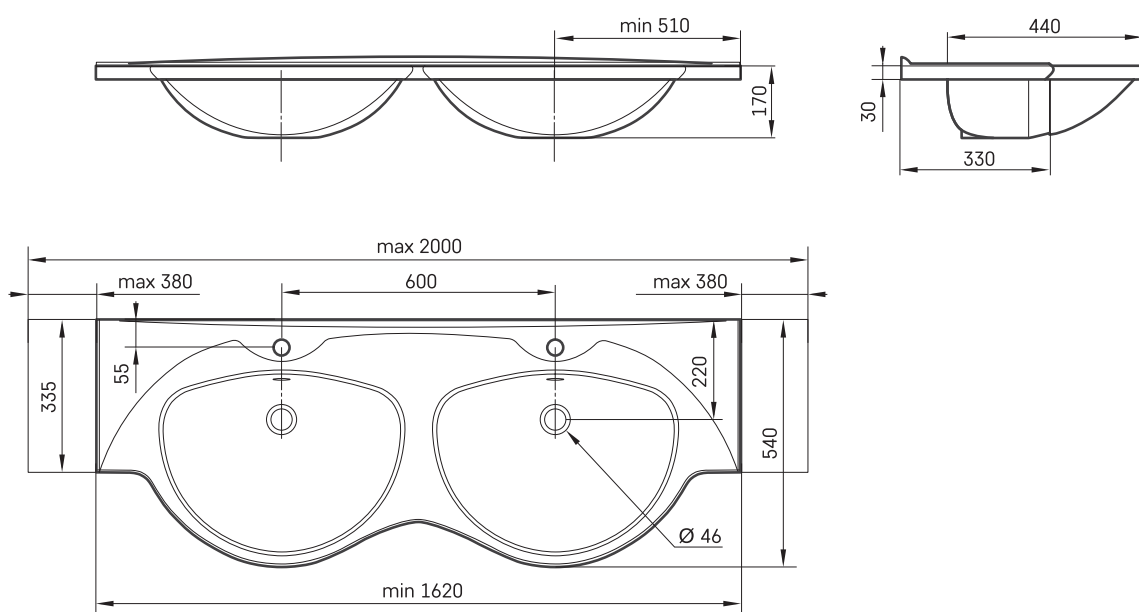
### Optional:

Brackets, 3 pcs., white or satin colour: IZKLSW/xx

Brackets, 3 pcs., stainless steel: IZKLW/NT



## TECHNICAL DRAWINGS



View product:

