

# Beta 80-100

## TECHNICAL INFORMATION

Size: 800 x 540 mm, h = 170 mm

Weight: 26 kg

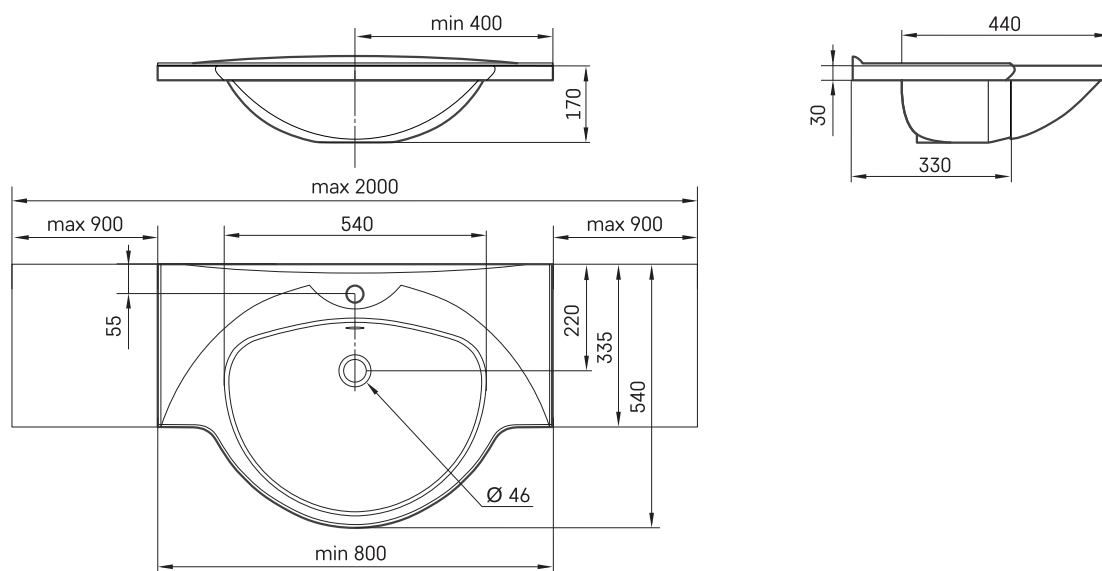
### Optional:

Brackets, 2 pcs., white or satin colour: IZKL/xx

Brackets, 2 pcs., stainless steel: IZKL/NT



## TECHNICAL DRAWINGS



View product:

