

Beta 100-150

TECHNICAL INFORMATION

Size: 1001 x 540 mm, h = 170 mm

Weight: 26 kg

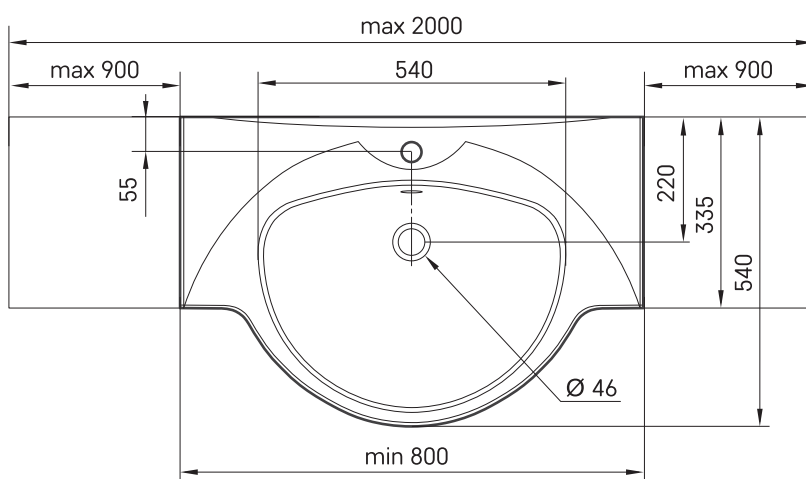
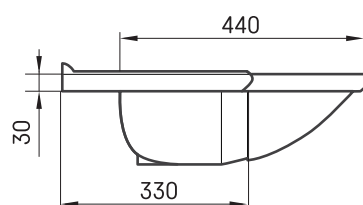
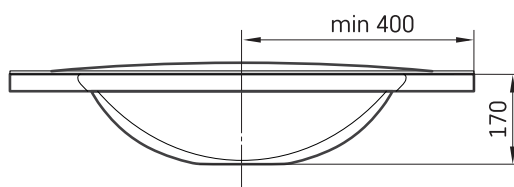
Optional:

Brackets, 2 pcs., white or satin colour: IZKL/xx

Brackets, 2 pcs., stainless steel: IZKL/NT



TECHNICAL DRAWINGS



View product:

