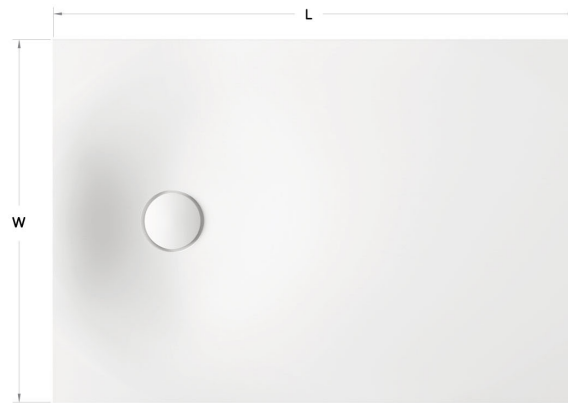


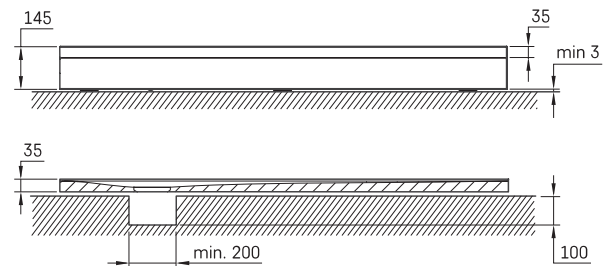
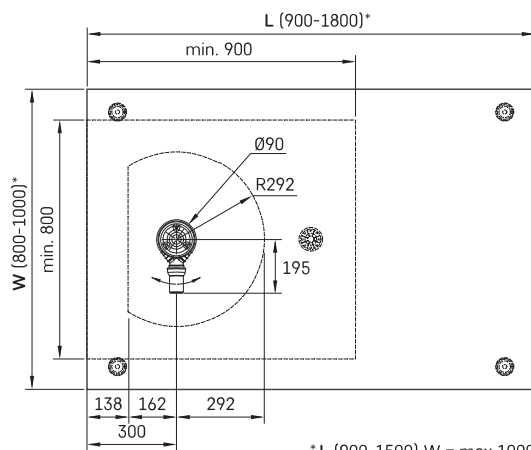
# Craft



## TECHNICAL INFORMATION

Size: 900 x 800-1000 mm, h = 35-150 mm

## TECHNICAL DRAWINGS





Ūnijas iela 12a,  
Rīga, Latvija

View product:

