

CLASSIC RO 90 R 550

TECHNICAL INFORMATION

Size: 900 x 900 mm, h = 165 mm

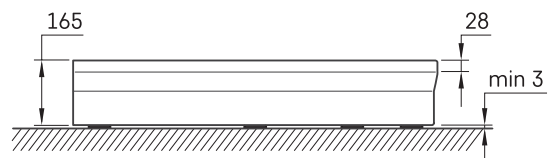
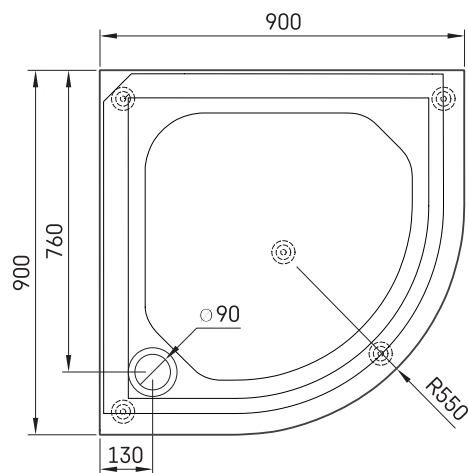
Weight: 22 kg

Optional:

Siphon TurboFlow, \varnothing 90 mm: 0205302



TECHNICAL DRAWINGS



View product:

