

# CLASSIC KV 90

## TECHNICAL INFORMATION

Size: 900 x 900 mm, h = 165 mm

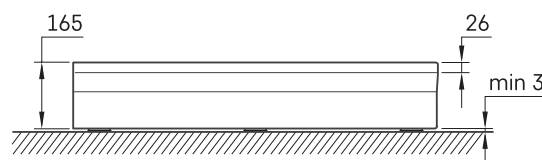
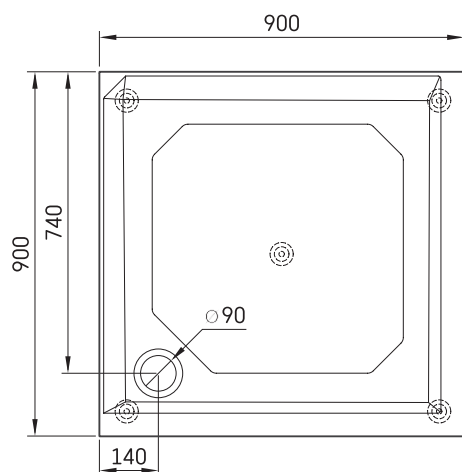
Weight: 31 kg

### Optional:

Siphon TurboFlow,  $\varnothing$  90 mm: 0205302



## TECHNICAL DRAWINGS



View product:

